

VSD PRESSURE PUMP STAINLESS STEEL 230 V

CAVFF260 • CAVFF460 • CAVFF840



APPLICATION

Easy to set VSD, that ensures a constant pressure by regulating the speed of the motor as the demand varies. Dry run protection included. Save between 20% and 50% energy consumption. Keeps water pressure constant. Easy and simple to install All functions can be set by the press of a button. Motor soft start: improving power factor and prolonging the service life of the water pump. Highly integrated design: combining the inverter, control, protection, cooling and sensor system. Liquid temperature 5°C to 90°C. Plug and Play.

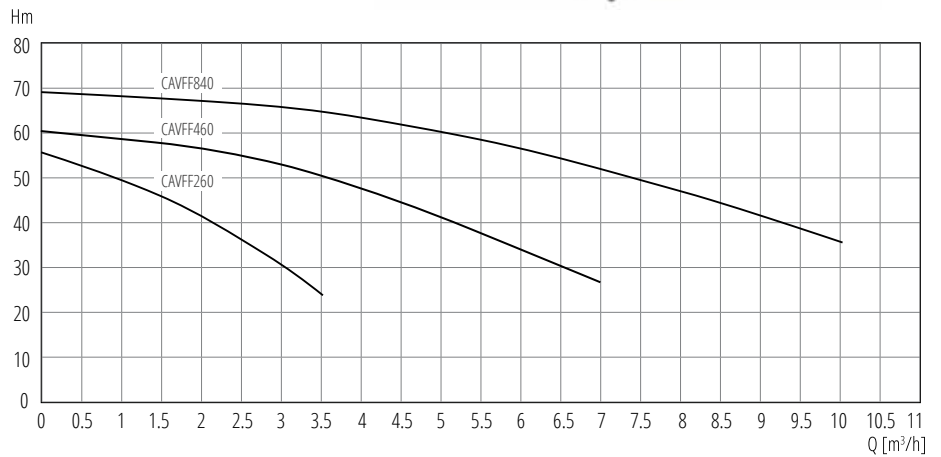


MOTOR

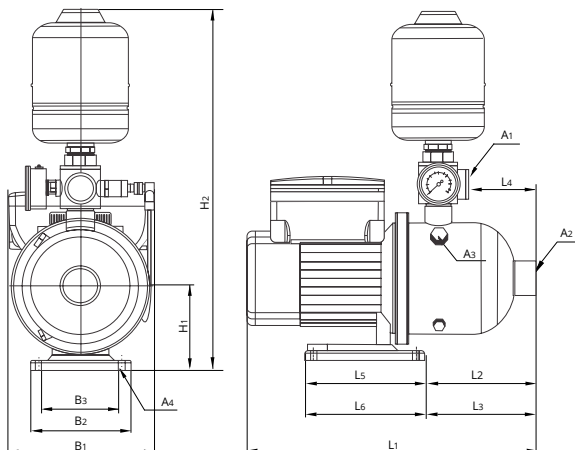
- Power 0.75 kW - 2.2 kW
- Input Power : 230 Volt single phase 50 Hz
- Max Amps: 4.2 A - 9.6 A
- The pump can work stably when the voltage range is 160 V - 250 V
- Pressure gauge & digital pressure display

MATERIALS

- Pump body - Stainless Steel AISI304
- Impeller - Stainless Steel AISI304
- Shaft - Stainless Steel AISI304
- Base frame - Cast Iron or A3-Steel



MODEL	RATED POWER (kW)	MAX AMPS	RATED FLOW (m/h)	RATED HEAD (m)															
				1.0	1.5	2.0	2.5	3.0	3.5	4.0	5.0	6.0	7.0	8.0	9.0	10.0	INLET	OUTLET	
VFF260	0.75	4.2	25	50	48	42	38	32	25	-	-	-	-	-	-	-	25 mm	25 mm	
VFF460	1.1	6.0	48	58	56	55	52	51	48	46	40	34	25	-	-	-	32 mm	25 mm	
VFF840	2.2	9.6	64	69	68	67	66	65	64	63	61	57	52	46	41	35	40 mm	40 mm	



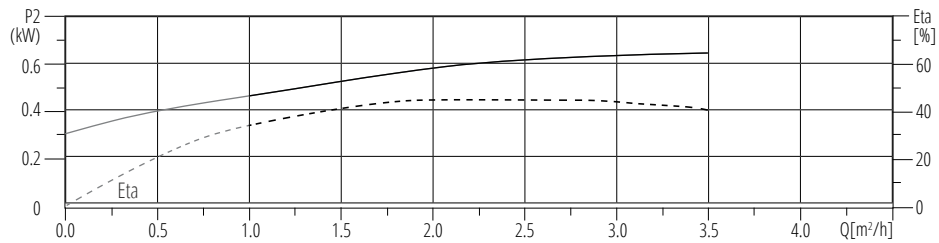
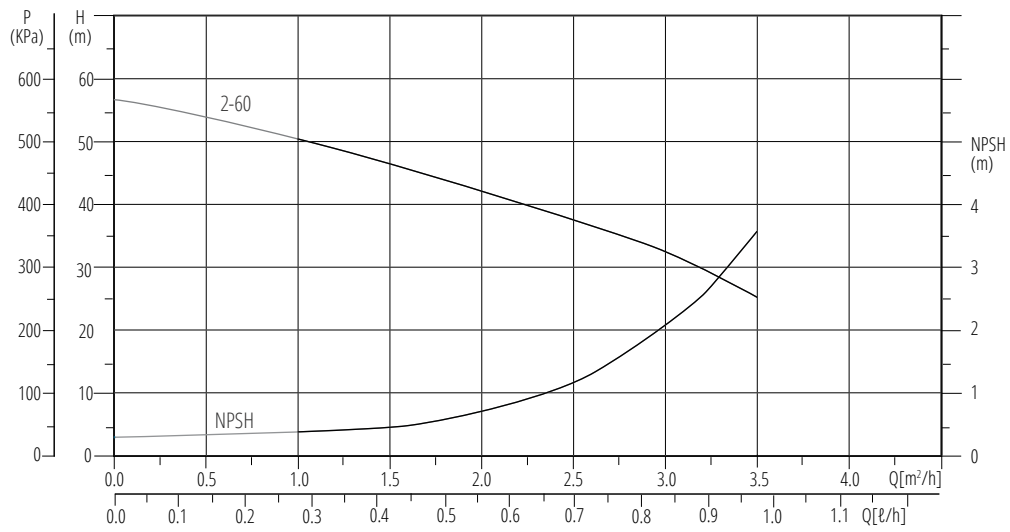
NO	MODEL	DIMENSIONS (mm)															
		A1	A2	A3	A4	B1	B2	B3	H1	H2	L1	L2	L3	L4	L5	L6	
1	VFF260	G1	G1	G3/8	9	189	130	108	110	473	400	160	149	90	138	160	
2	VFF460	G1	G1¼	G3/8	9	189	130	108	110	473	400	160	149	84	138	160	
3	VFF840	G1½	G1½	G3/8	9	210	130	108	120	580	459	179	168	89	138	160	

VFF SERIES TECHNICAL PARAMETERS TABLE AC 220 V/50 Hz SERIES			
NO	MODEL	RATED POWER	PRESSURE TANK SIZE
		(kW)	
1	VFF260	0.75	2 ℓ
2	VFF460	1.1	2 ℓ
3	VFF840	2.2	4 ℓ

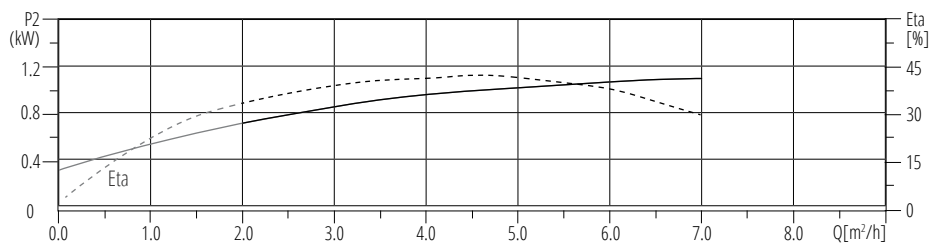
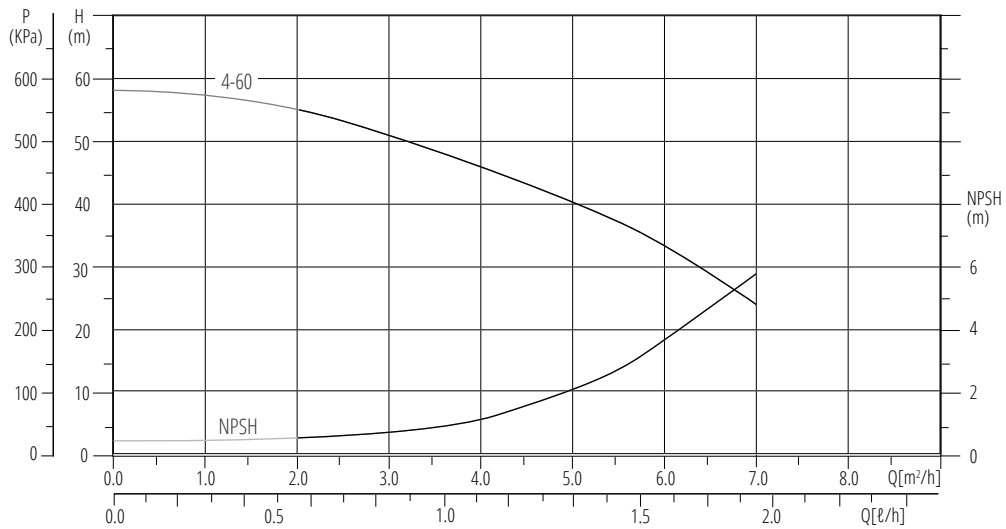
VSD PRESSURE PUMP STAINLESS STEEL 230 V



CAVFF260



CAVFF460



NRCS HOUSEHOLD APPLIANCES\ELECTRONIC LETTER OF AUTHORITY

APPLICANT NAME :	HINTERLAND SA		
TRADING NAME :	AGRINET		
POSTAL ADDRESS :	PRIVATE BAG X165 CENTURION 0046	PHYSICAL ADDRESS :	111 STERLING STREET KOSMOSDAL SAMAND 0157
CONTACT PERSON/S :	FELICIA MNATA		
TEL NO :	012 6572000		
FAX NO :	086 529 4479		
E-MAIL :	morney@agrinet.co.za		

CUSTOMS IMPORTER CODE :	CHECKED
VAT REGISTRATION NO :	CHECKED
COMPANY REGISTRATION NO :	CHECKED

TARIFF HEADING:	8413.81	REBATE CODE:	
DESCRIPTION	BRAND	COUNTRY OF ORIGIN	APPLICABLE STANDARD
CASCADE PUMPS	CASCADE	CHINA	SANS IEC 60335-2-41

MODEL#
CAVFF8-40

ACCEPTED VARIATIONS			
VFF4-60	CAVFF2-60	CAWCM2150FL	
CAWCM2200FL	CAWC075	CAW075FL	
CAWC110FL	CAWJS075	CAWJS075FL	
CAWJL075FL	CAWW037	CAWW03FL	
where != Blank \$ = Alpha # = Numeric @ = Alphanumeric * = Blank or Alphanumeric			

CERTIFICATE NO :	000000173300/001	EXPIRY DATE:	07 Feb 2025
DATE OF ISSUE :	07 Feb 2022	AUTHORIZED :	
AUTHORIZING OFFICER :	Stephina Teffo		
DATABASE ENTRY NO :	173300		

This certificate is issued subject to the conditions attached overleaf

Head Office

SBS Campus 1 Dr Lategan Road Groenkloof Pretoria

✉ NRCS Private Bag X25, Brooklyn Square 0075

☎ Tel: +27 12 482 8700 • Hotline 0800 214 719 • Fax: +27 86 404 7431

@ Web: www.nrccs.org.za