

# Einhell

**GREY**

## TS 125/115 Cutting Stand

**Art.-No. 44.310.40**

The Cutting Stand is suitable for angle grinders with disc size of  $\varnothing$  115 mm and  $\varnothing$  125 mm. This practical Cutting Stand transforms an angle grinder into a multi-purpose and safety cutting machine for profiles, tubes and rods made of metal. This unit has universal applications and is suitable for most of the usual angle grinders.

### Features

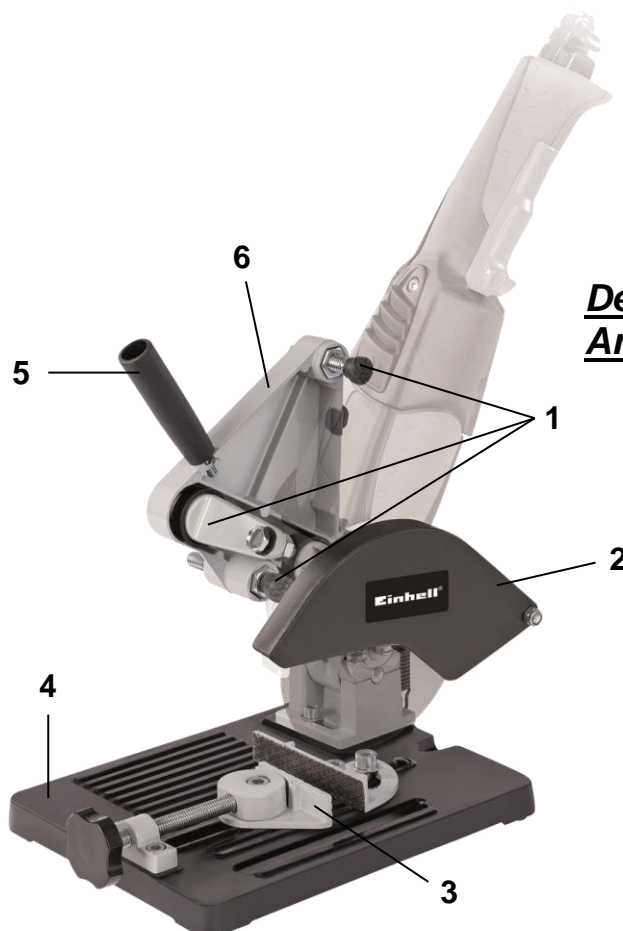
- Universal adjustable fixing brackets for an angle grinder (1)
- Spark protection (2)
- Adjustable tool clamping device, also suitable for angle cuts (3)
- Solid steel-panel base (4)
- Handle (5)
- Strong upper body made of cast aluminium with a robust lag-hinge and spring release (6)

### Technical Data

- Size of base plate: 190 x 240 mm
- For angle grinder:  $\varnothing$  115 and  $\varnothing$  125 mm
- Product weight: 3.1 kg

### Logistic Data

- Net weight: 3.1 kg
- Gross weight: 3.3 kg
- Packing dimensions: 199 x 90 x 260 mm
- Bar code: 4006825 506457
- Sales unit: 4 pcs



**Delivery without  
Angle Grinder!**