

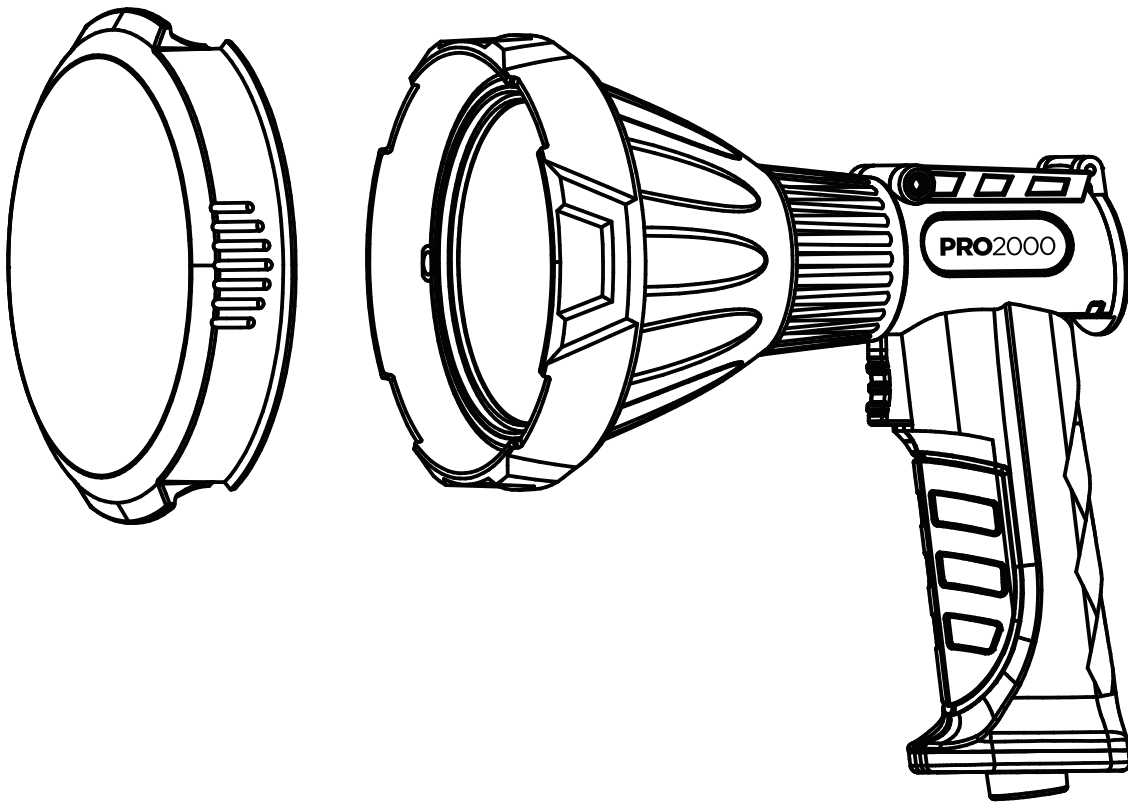


**KAUFMANN**

# PRO2000

## LED RECHARGEABLE SPOTLIGHT

V0700102



### **⚠ WARNING**

TO PREVENT DAMAGE TO EYESIGHT,  
NEVER LOOK INTO LIGHT WHEN  
LIGHT IS ON. DO NOT SHINE LIGHT  
INTO THE FACE OF SOMEONE ELSE.

### **⚠ WARNING**

READ AND FOLLOW ALL  
WARNINGS AND INSTRUCTIONS IN  
THIS MANUAL TO AVOID PERSONAL  
INJURY OR PROPERTY DAMAGE.

## **OWNER'S MANUAL & OPERATING INSTRUCTIONS**

 *Always Recycle!*

# IMPORTANT SAFETY WARNINGS

**⚠ READ AND FOLLOW ALL SAFETY WARNINGS AND INSTRUCTIONS IN THE OWNER'S MANUAL BEFORE OPERATING SPOTLIGHT.**

## **⚠ WARNING**

- Never place spotlight face down when light is on or is still hot from recent use. Doing so could burn/ignite surfaces such as seats, carpeting, etc. and cause major property damage. Always turn spotlight off when not in use.
- Always unplug charger from light and power source when not in use.
- To prevent serious damage to eyesight, never look into light when light is on. DO NOT shine light into the face of someone else.
- DO NOT touch lens of spotlight when light is on or if it was recently on. The lens will be hot and could cause serious burns.
- DO NOT allow children to handle or operate this spotlight.
- DO NOT use this product for other than its intended use.
- DO NOT charge or operate in close proximity of combustible or flammable materials.
- DO NOT charge battery in gas tight enclosures.
- DO NOT attempt to charge battery pack using both AC and DC chargers at the same time.
- DO NOT attempt to charge or operate this spotlight if cord, plug, battery, bulb or any part of the spotlight is damaged or corroded.
- DO NOT use an outdoor AC outlet to recharge battery.
- To prevent accidental electrical shock we recommend this product always be charged on a GFCI (Ground Fault Circuit Interrupter) outlet.
- Only use charging devices that are provided with the Rechargeable LED Spotlight or its replacements.
- DO NOT disassemble or tamper with the battery.
- DO NOT dispose of battery in fire as this may result in explosion.

**USE CAUTION AND COMMON SENSE WHEN OPERATING YOUR RECHARGEABLE LIGHT.**

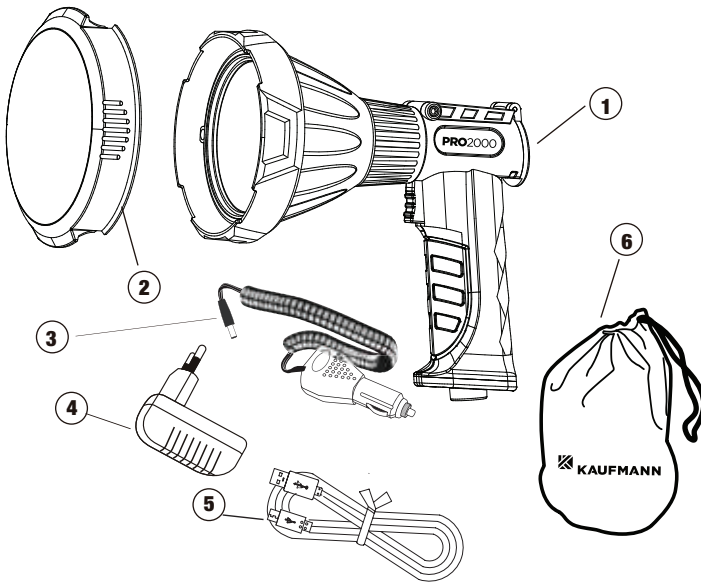
**FAILURE TO ADHERE TO THE SAFETY WARNINGS AND GUIDELINES IN THIS MANUAL  
COULD RESULT IN BODILY INJURY OR PROPERTY DAMAGE.**

**SAVE THIS MANUAL FOR FUTURE REFERENCE.**

# OPERATING INSTRUCTIONS

**▲ READ AND FOLLOW ALL SAFETY WARNINGS AND INSTRUCTIONS IN THE OWNER'S MANUAL BEFORE OPERATING SPOTLIGHT.**

*Inspect contents of the box to ensure all parts are included and undamaged*



## Part List:

- ① PRO2000 Rainproof Rechargeable Spotlight
- ② Detachable Red & Green Filter Lenses
- ③ 12~24-Volt DC Charger/Adapter(Output:DC 9V 1.5A)
- ④ 100~240-Volt AC USB Charger(Output:DC 5V 1A)
- ⑤ 120cm Micro USB cord
- ⑥ Draw-string Carrying / Storage Bag  
Owner's Manual

## Specifications:

- ◆ The main body is made of Aluminium, rubber, TPR, PC and ABS materials.
- ◆ Shatterproof aluminium head helps cooling fast.
- ◆ PC reflector provides well-distributed beam.
- ◆ 1pc USA Cree XHP50.2 super bright LED.
- ◆ Powered by 2pcs 18650 rechargeable Lithium batteries(7.4V 2600mAh).
- ◆ Waterproof (Floats on Water) and Dustproof protection:IP66

## To Operate

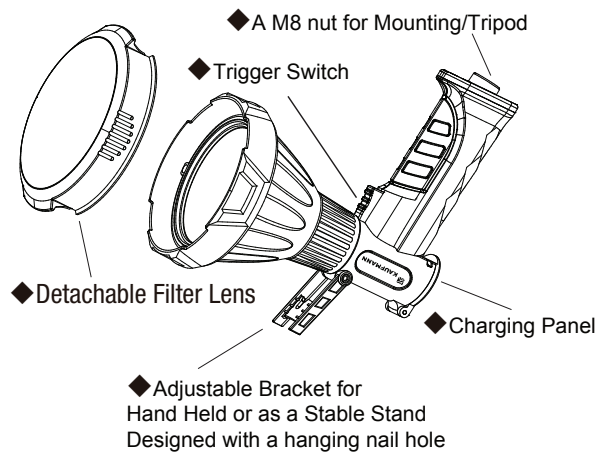
**IMPORTANT:** Turn spotlight OFF before charging from AC outlet. Leaving spotlight ON during charging may cause damage to battery and AC charger.

12~24-volt DC charger/adapter operates from a DC receptacle

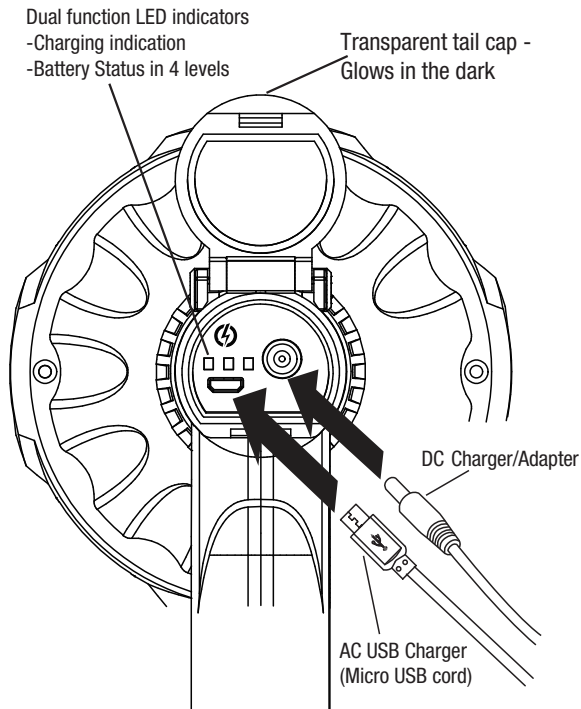
**Step 1:** Follow charging instructions on next page of this manual and allow battery to fully charge.

**Step 2:** Press trigger switch in handle once to turn spotlight ON. Press switch again to cycle through High, Low and S.O.S. modes. Press trigger switch again to turn spotlight OFF.

**▲ WARNING:** Never place spotlight face down when light is on or is still hot from recent use. Doing so could burn/ignite surfaces such as seats, carpeting, etc. and cause major property damage. Always turn spotlight off when not in use.



## To Charge



Design with IC Chip Controlling the Battery Saver and Safe Mode: Automatically/Intelligently Reduces Brightness/Temperature after 5 Minutes/56 °C to Extend Run Time and Ensure Safety.

## MAINTENANCE

Use only mild soap and damp cloth to clean the outer housing. Never let any liquid get inside the housing.

- Step 1:** Open transparent tail cap before charging the spotlight.
- Step 2:** Plug the AC USB charger (Micro USB cord) or the designated DC charger/adapter into corresponding charging port.
- Step 3:** Single blue LED indicator will be flashing when battery is charging.

**Note:** Make sure spotlight is off while charging with AC USB charger (Micro USB cord).  
Spotlight can operate while charging with the designated DC charger/adapter.

### Intellective Dual function LED indicators:

Blue LED indicators will be flashing when battery is charging.

- Single Blue LED Flashing = Charging
- Three Blue LED on = Charging complete

**Note:** Always allow battery to fully charge.

LED indicators on the designated DC charger/adapter stays red while in use.

### Blue LED indicators will indicate 4 levels battery status while working:

- Three Blue LED on = Battery level 60-100%
- Two Blue LED on = Battery level 40-60%
- Single Blue LED on = Battery level 20-40% (Charging Recommended)
- Single Blue LED Flashing = (Charge spotlight Immediately)

For best results leave Spotlight on trickle charge for an extra 1 hour after all 3 indicators have turned on.

- ⚠ WARNING:** Recharge battery fully before first use.  
DO NOT leave battery uncharged for extended period (recharge the battery every 6 months).  
The normal charging time is about 5Hrs by AC USB home adapter or about 4Hrs by DC 12~24V car charger (never charge longer than 12Hrs continuously).  
DO NOT attempt to charge battery using both AC and DC chargers at the same time. This will damage the battery and charger.  
For DC Charger/Adapter- Battery charges / continuous working only while vehicle engine is running.  
When the spotlight is fully charged, lock the cap in place for rainproof purpose. Never dismantle the battery parts.



Contains lithium-ion battery. Battery must be recycled or disposed of properly.

### Environmental Protection

Waste electrical products should not be disposed of with household waste. Please recycle where facility exists. Check with your local authority or retailer for recycling information.



**Step 1:** Disconnect spotlight from power source.

**Step 2:** Unscrew cap of DC plug and pull out of fuse.

**Step 3:** Pull fuse holder and fuse out of DC plug. Observe to see if fuse is burned out.

**Note:** Replace with new 5A fuse if fuse element is missing or broken.

**Step 4:** Pull fuse out of fuse holder. Insert new fuse into holder.

**Step 5:** Insert fuse holder and fuse into DC plug.

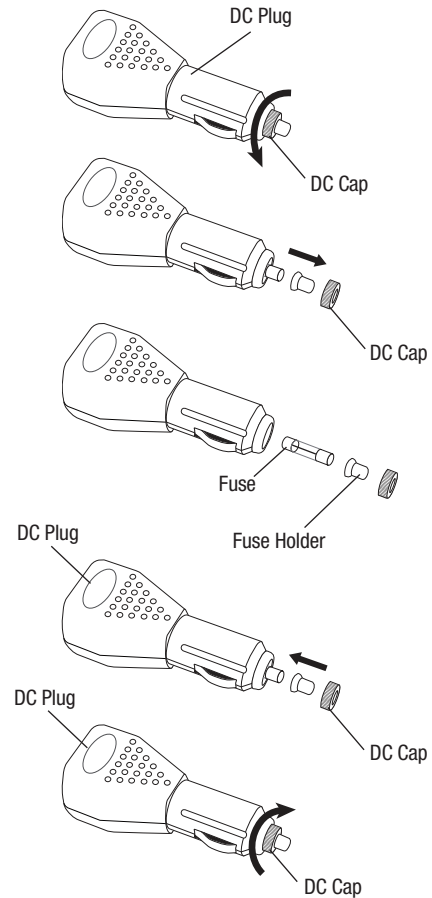
**Step 6:** Screw cap onto DC plug.

#### To Prevent Damage to Spotlight and Battery:

- Do not attempt to use spotlight while charging directly from AC outlet. Doing so may cause damage to battery and AC charger.
- DO NOT attempt to charge battery using both AC and DC chargers at the same time. This will damage the battery and chargers.
- Only use charging devices that are provided with the Rechargeable LED Spotlight or its replacements.
- Do not allow battery to completely discharge. A dim light indicates a low battery. Recharge battery as soon as possible after each use.
- Always keep the battery fully charged when not in use.
- For best results, fully charge battery after each use. This will prolong the overall life of the battery.

**WARNING:** A damaged battery can leak acid. Avoid contact with eyes and skin. If contact occurs, flush immediately with large amounts of water. DO NOT ingest. If contact with eyes or ingestion occurs, consult physician immediately.

## To Replace DC Plug Fuse



**IMPORTANT:** Charge battery before storing for extended periods. Battery will keep its charge. A completely discharged battery may not recharge properly.