

Marketing and Packaging Specification Document

91874 - 4 Station Easy Dial Timer

Date Modified: 3/14/2018

Date Created: 08/26/11

Internal users: for the most current information, and files, follow the below link.

http://satellite.orbitonline.com/Marketing/CDDetailsFamily.cfm?View=Marketing&ViewPBOM=Yes&FAM_ID=2537#ShowBOM

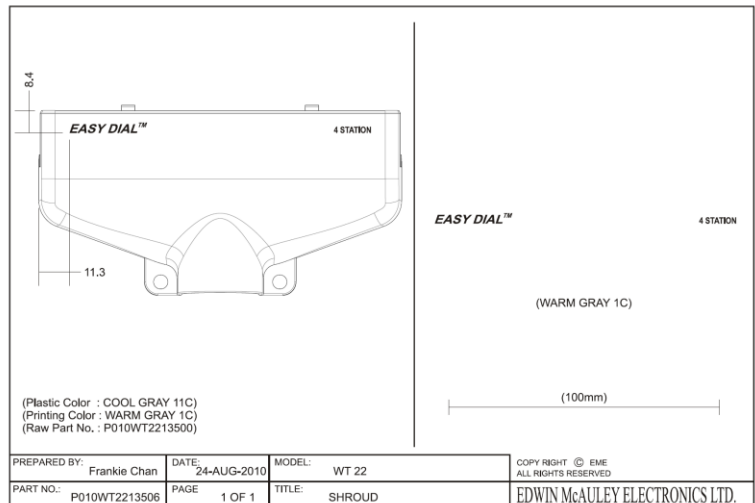
Product:

Product Information

Each Pack Qty	1
Shelf Pack Qty	6
Master Pack Qty	6
Mold Logo Insert(s)	NA
Voltage	230 V* 50 Hz
Inlet(s)/Outlet(s)	NA
Unique Plastic	
Product Color(s)	Cool Gray PMS 11

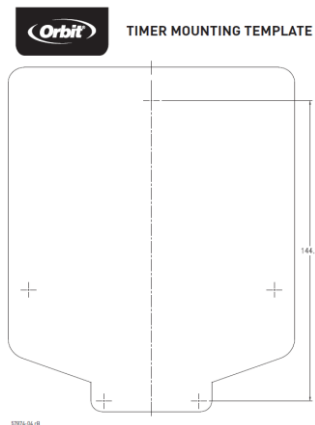
Silk Screening

Raw Material #	57874-26 Rev A
Unique Product	
Printing Color(s)	Warm Gray 1C



Mounting Template

Raw Material #	57874-04 Rev B
Width	5.8300
Height	8.2300



Marketing and Packaging Specification Document

91874 - 4 Station Easy Dial Timer

Date Modified: 3/14/2018

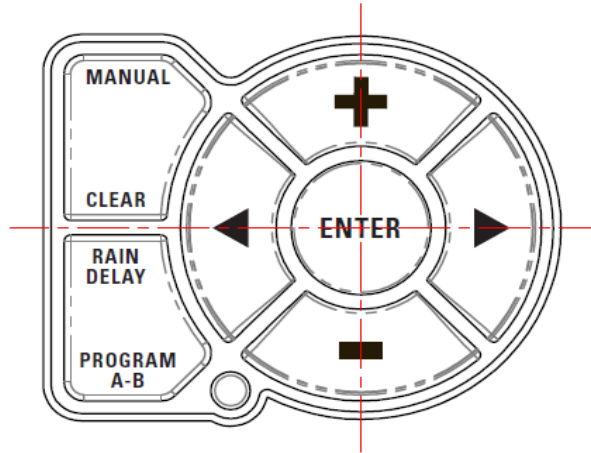
Date Created: 08/26/11

Internal users: for the most current information, and files, follow the below link.

http://satellite.orbitonline.com/Marketing/CDDetailsFamily.cfm?View=Marketing&ViewPBOM=Yes&FAM_ID=2537#ShowBOM

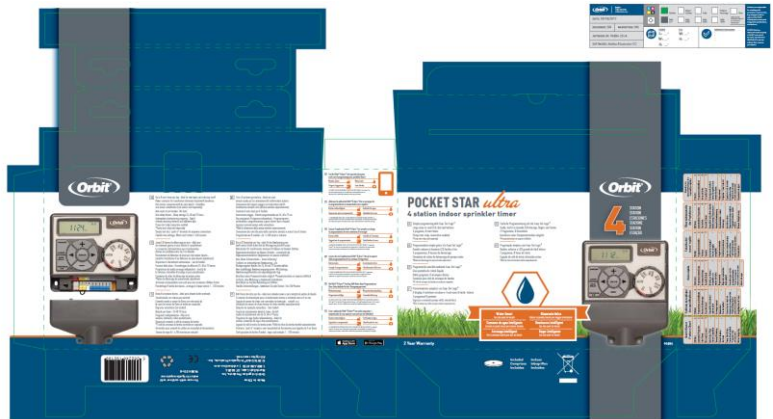
Silk Screening

Raw Material #	57874-26 Rev A
----------------	----------------



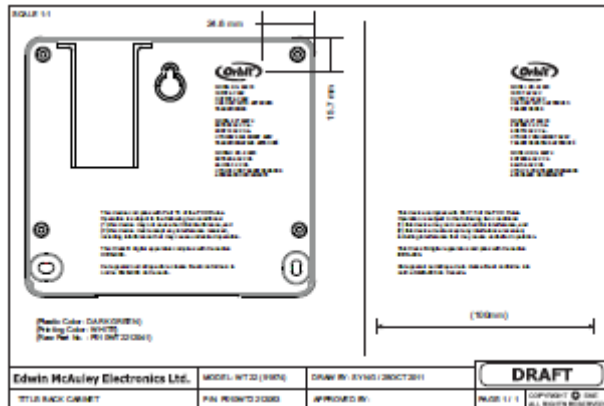
Graphic Box

Raw Material #	94484-20 Rev A
Length	2.11
Width	7.94
Height	6.8000
UPC	046878918740



Silk Screening

Raw Material #	57874-26 Rev A
----------------	----------------



Marketing and Packaging Specification Document

91874 - 4 Station Easy Dial Timer

Date Modified: 3/14/2018

Date Created: 08/26/11

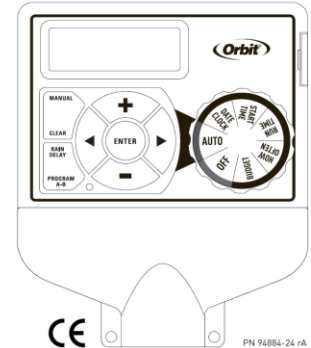
Internal users: for the most current information, and files, follow the below link.

http://satellite.orbitonline.com/Marketing/CDDetailsFamily.cfm?View=Marketing&ViewPBOM=Yes&FAM_ID=2537#ShowBOM

Instruction Manual

Raw Material #	94884-24 Rev A
Width	7.0000
Height	5.0000

- EN **USERS MANUAL**
- FR **MANUEL DE L'UTILISATEUR**
- ES **MANUAL DEL USUARIO**
- IT **MANUALE UTENTE**
- DE **BENUTZERHANDBUCH**
- PT **MANUAL DO UTILIZADOR**

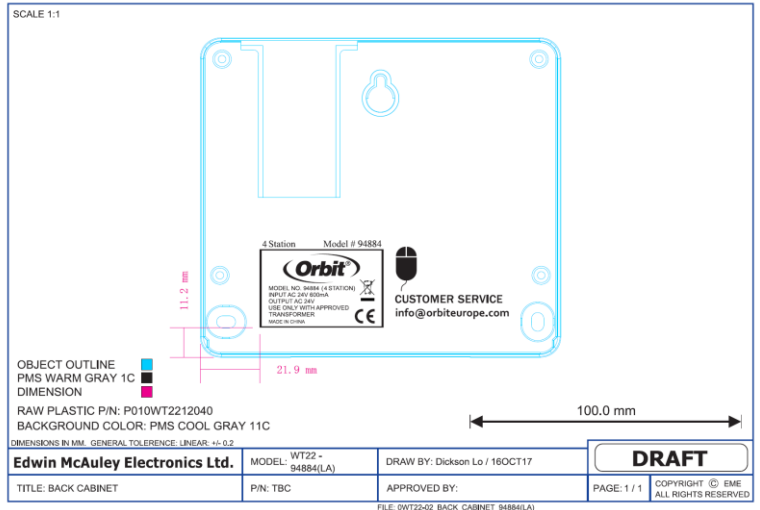


MODELS
 MODELES
 MODELES
 MODELLI
 MODELLE
 MODELOS

94884
 94886
 91884

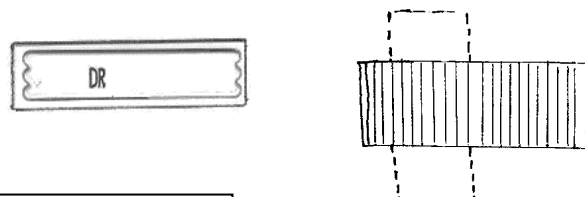
Silk Screening

Raw Material #	94884-26 Rev A
----------------	----------------



Sensormatic Label

Raw Material #	95326 Rev A
Width	1.7500
Height	0.4375



*The sensormatic label is stuck INSIDE the gift box under the bar code with

Marketing and Packaging Specification Document

91874 - 4 Station Easy Dial Timer

Date Modified: 3/14/2018

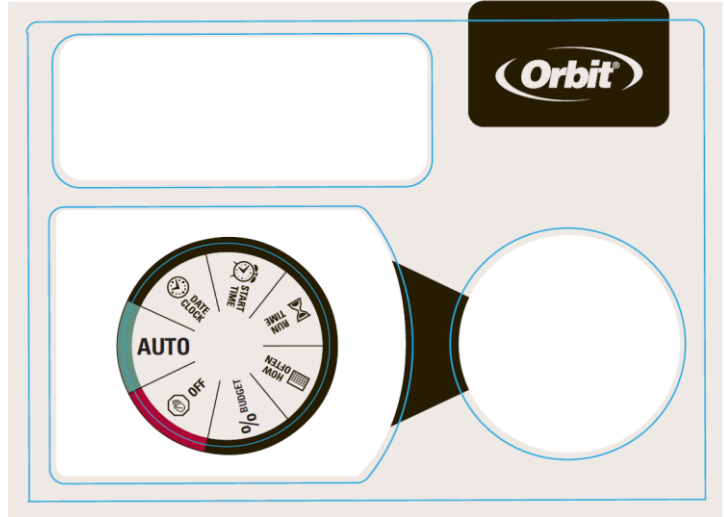
Date Created: 08/26/11

Internal users: for the most current information, and files, follow the below link.

http://satellite.orbitonline.com/Marketing/CDDetailsFamily.cfm?View=Marketing&ViewPBOM=Yes&FAM_ID=2537#ShowBOM

Lexan

Raw Material #	94886-25 Rev A
Width	4.7556
Height	3.4193



Misc. Artwork

Raw Material #	94546-26 Rev B
Type	Card - inside box
Width	7.0000
Height	5.0000
Instructions	Card is to be placed inside the box on the top -to be seen immediately after opening box.

 DO NOT RETURN TO STORE OUR CUSTOMER SERVICE REPRESENTATIVES ARE AVAILABLE TO HELP! Europe & South Africa Email: info@orbiturope.com South America Phone: +56 2 22419718 Email: fbenavides@sercoriego.cl	 NE PAS RETOURNER CONSERVER NOS REPRÉSENTANTS DE SERVICE CLIENT SONT DISPONIBLES POUR AIDER! Europe & Afrique du Sud Email: info@orbiturope.com Amérique du sud Téléphone: +56 2 22419718 Email: fbenavides@sercoriego.cl	 NO DEVUELVA CONSERVACIÓN NUESTROS REPRESENTANTES DE SERVICIO AL CLIENTE ESTÁN DISPONIBLES PARA AYUDAR! Europa y África del Sur Email: info@orbiturope.com Sudamerica Teléfono: +56 2 22419718 Email: fbenavides@sercoriego.cl
 NON RESTITUIRE AL PUNTO DI VENDITA I NOSTRI RAPPRESENTANTI DEL SERVIZIO CLIENTI SONO PRONTI A FORNIRE ASSISTENZA! Europa e Sud Africa E-mail: info@orbiturope.com Sud America Telefono: +56 2 22419718 E-mail: fbenavides@sercoriego.cl	 NIE ZWRACAJ DO SKLEPU NASI PRZEDSTAWICIELE DZIAŁU OBSŁUGI KLIENTA CHĘTNIE SŁUŻĄ POMOCĄ! Europa i Afryka Południowa Email: info@orbiturope.com Ameryka Południowa Telefon: +56 2 22419718 Email: fbenavides@sercoriego.cl	 NÃO DEVOLVA À LOJA OS NOSSOS REPRESENTANTES DE ASSISTÊNCIA AO CLIENTE ESTÃO DISPONÍVEIS PARA O AJUDAR! Europa e África do Sul Email: info@orbiturope.com América do Sul Tel.: +56 2 22419718 Email: fbenavides@sercoriego.cl

www.orbitonline.com | bhyve.orbitonline.com
 Orbit® Irrigation Products, Inc., North Salt Lake, UT 84054 USA

94546-26 rB
 © 2016 Orbit, Inc. All rights reserved.

Marketing and Packaging Specification Document

91874 - 4 Station Easy Dial Timer

Date Modified: 3/14/2018

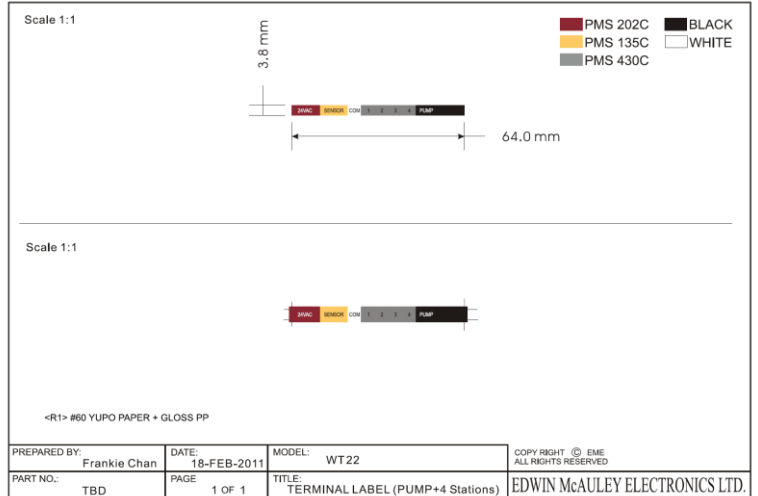
Date Created: 08/26/11

Internal users: for the most current information, and files, follow the below link.

http://satellite.orbitonline.com/Marketing/CDDetailsFamily.cfm?View=Marketing&ViewPBOM=Yes&FAM_ID=2537#ShowBOM

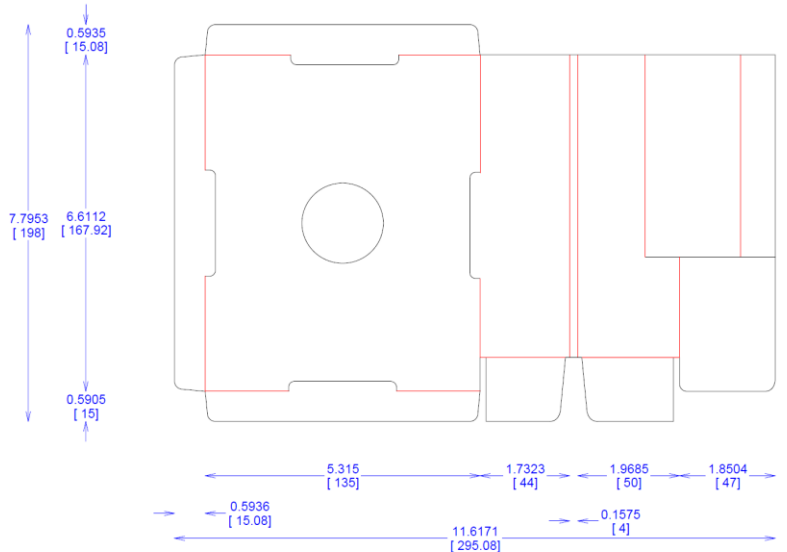
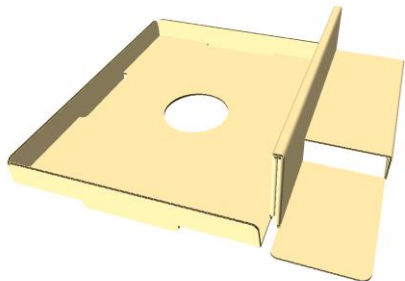
Terminal Lexan

Raw Material #	57874-34 Rev B
----------------	----------------



Insert - Graphic Box

Raw Material #	57594-37 Rev A
Length	11.6171
Width	7.7953



Marketing and Packaging Specification Document

91874 - 4 Station Easy Dial Timer

Date Modified: 3/14/2018

Date Created: 08/26/11

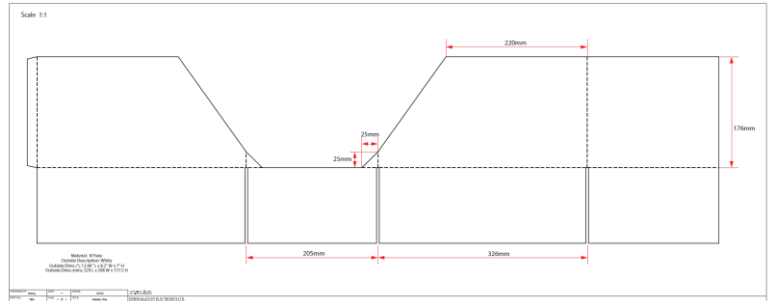
Internal users: for the most current information, and files, follow the below link.

http://satellite.orbitonline.com/Marketing/CDDetailsFamily.cfm?View=Marketing&ViewPBOM=Yes&FAM_ID=2537#ShowBOM

Shelf:

Tray

Raw Material #	57594-32 Rev A
Length	12.9600
Width	8.2000
Height	7.0000
Box Color Outside	White
Box Color Inside	Kraft
Packaging	1 high x 1 wide x 6 deep



Case:

Box Lid

Raw Material #	57594-02 Rev A
Length	13.7100
Width	8.8300
Height	7.5300
Logo Color	Black
Box Color Outside	Kraft
Box Color Inside	Kraft
Box Color Inside	Orbit Logo printed on all 4 sides



UCC Label

Raw Material #	94884-ucc
Length	7.8750
Height	3.0000
Color	Black
UCC	20046878948840

Orbit 94884
 4 Station Ultra Timer
 4 Postes Minuterie pour arroseur
 4 Estaciones Temporizador para regadores
6 Pieces 6 Pièces 6 Piezas



20046878948840

Orbit 94884
 4 Station Ultra Timer
 4 Postes Minuterie pour arroseur
 4 Estaciones Temporizador para regadores
6 Pieces 6 Pièces 6 Piezas



20046878948840

Toxics in Packaging Requirement

Raw Material #	99000-97 Rev A
Instructions	Guideline for packaging

Raw Part Number: 99000-97 Rev A

Artwork Type: Toxics in Packaging Requirement

QA-060 General Product Workmanship Standard Section 6.19 Toxics in Packaging:

6.19.1 In the context of legislation, the definition of "package" is a container providing a means of marketing, protection or handling of a product.

This includes such unsealed receptacles as carrying cases, crates, cups, pails, rigid foil and other trays, wrappers, etc. Also important to note is the definition of "packaging component"; which is any individually assembled portion of a package such as any interior or exterior blocking, bracing, cushioning, weatherproofing, exterior strapping, coatings, closures, inks and labels.

6.19.2 As agreed to through a collaborative effort between states and industry, the legislation regulates the sum amount of lead, mercury, cadmium and hexavalent chromium in packaging and its components. Through a yearly decrease in the allowable parts per million (ppm) levels of the metals the current sum amount of all four metals cannot exceed 100 ppm.