



200 W PORTABLE POWER STATION



INSTRUCTION MANUAL

Please read these instructions carefully and retain them for future reference.



SWD-8900-BK

HIGHLIGHTS

- Complete Overload Protection
- 146.52 Wh
- Solar panel Input
- 200 W AC Output

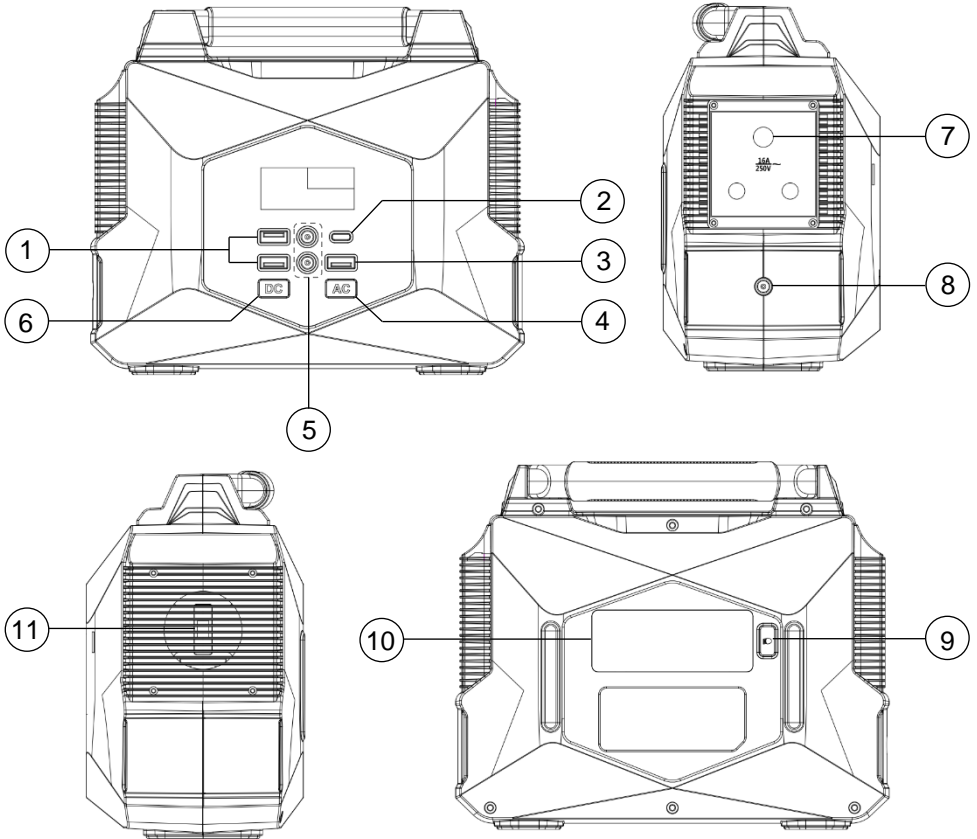
PACKAGE CONTENTS

- 1x Switched 200 W Portable Power Station
- 1x 3 in 1 Charging Cable
- 1x Power Adaptor
- 1x Instruction Manual

SPECIFICATIONS

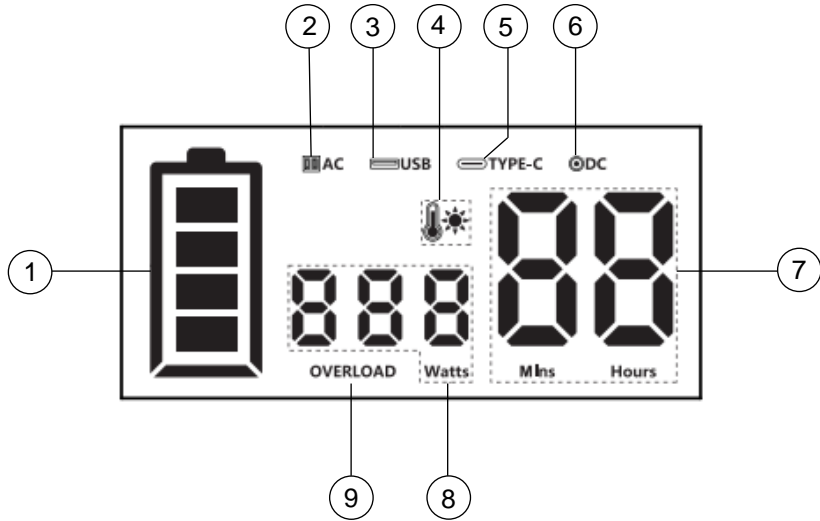
- Capacity: 11.1 V, 13200 mAh (146.52 Wh)
- Input: 15 V, 2 A
- Rated Output Power: 200 W
- Peak Output Power: 400 W
- AC Output: 220 V, 50 Hz
- DC Output: 12 V, 10 A
- USB 1 + USB 2: 5 V, 3 A
- USB 3: QC 18 W 5 V, 3 A / 9 V, 2 A
- Type-C: PD 24 W
- Size: 205 x 105 x 175 mm
- Weight: 1.8 kg

IDENTIFYING PARTS



1. USB 1 and USB 2 Port
2. Type-C USB PD 24 W Port
3. USB 3, QC 3.0 Port
4. AC Power Button
5. DC Output Port 2
6. Power Button
7. AC Output Socket
8. DC Input Port
9. LED Button
10. LED Lighting Panel
11. Cooling Fan

IDENTIFYING PARTS (Continued)



1. Battery Level Indicator
2. AC Output Indicator
3. USB Output Indicator
4. Temperature Indicator
5. Type-C USB Output Indicator
6. DC Output Indicator
7. Time Display
8. Charge Display
9. Overload Display

INSTRUCTIONS FOR USE

USING THE SWITCHED PORTABLE POWER STATION

Please ensure the initial charge of the Switched Portable Power Station before the first use. The charge period will take approximately 7 hours when the power station battery is flat.

Charging the Switched Portable Power Station:

- Insert the charge cable connector in the 220 V AC charging port.
- Insert the charge cable two-pin plug into a two-pin standard wall socket (adaptor may be needed).
- Switch the wall socket on. The LCD battery indicator will flash while charging and increase by 25. When the battery is fully charged, the LCD battery indicator will stop flashing, and the “Full Battery” will be indicated.

Charge Status:

One Bar = 25 %

Two Bars = 50 %

Three Bars = 75 %

Four Bars = 100 %

Note: When the Switched Portable Power Station is not in use for a prolonged period, charge it fully every three months to extend the battery life.

Switching the Switched Portable Power Station On and Off:

- Press the power button to switch the power station On.
- Press and hold the AC button to change to the AC function. The LED AC function indicator will be on, and the AC socket will be ready for use. If the AC socket is not used, switch it off by pressing and holding the AC button. The AC function will not switch off automatically.

USB Output Function:

- Switch the power station on, and the USB port is available. When a device is being charged, the USB icon on the LCD will be on.
- There are two fast-charging USB ports.

Type-C USB Output Function:

- Switch the power station on, and the Type-C USB port is available. When a device is being charged, the Type-C USB icon on the LCD will be on.

High-Temperature Indicator:

- If the power station's temperature rises too high, the high-temperature Indicator will display.

DC Output Function:

- Switch the power station on. The DC output function can be used. When the DC function is used, the DC output function indicator on the LCD will be on.

Overload Function:

- When the power station is overloaded, the overload function indicator on the LCD will be on. The corresponding overload icon will flash, the automatic protection will be activated, and the output current will be stopped. When the load is reduced, the overload function indicator on the LCD will be off. The AC function will automatically recover.

Real-time Power Digital Display:

- When the power station is charging (input) or charging a device (output), the current input or output is displayed.
- Only the charging power (input) is displayed when simultaneously charging the power station and a device.

Real-time Charging (Input) Digital Display:

- When the power station charges a device (output), the hour and minute digits are displayed.
- The hour and minutes displayed will be the remaining time of the charging process and will only display the hour digits if the time is more than an hour and only display the minutes if the time is less than an hour.

SAFETY PRECAUTIONS

- Never use your Switched Portable Power Station near water or in areas where it can come into contact with water.
- Never handle the product if it is dropped into water or other liquid. This is a safety hazard if the product comes into contact with water while switched off but still plugged in.
- Always ensure your hands are dry before touching the plug or power connections.
- Do not operate the product with a damaged cord or plug after it malfunctions or has been dropped or damaged.
- The product is intended for personal use only. Commercial use invalidates the warranty, and the supplier cannot be held responsible for injury or damage caused when using the device for any purpose other than its intended purpose.
- The product is not intended for use by children, persons with reduced physical, sensory or mental capabilities, or lack of experience and knowledge unless they have been given supervision or instructions concerning the use of the device by a person responsible for their safety.
- Extreme caution must be exercised.
- Do not apply excessive force on the cables.
- Do not unplug by pulling the cord.
- Do not place the cord or device near heating elements.
- Do not bend the blade or pins of the plugs.
- Unplug the product from the AC wall outlet when it is not used.
- While it is being used, do not place the product on a bed, bag or inside anything that is not well ventilated.
- Children should be supervised to ensure they do not play with the product. Packaging must never be left within reach of children since it is potentially dangerous.


CLEANING INSTRUCTIONS - GENERAL

- **Before Cleaning:** Ensure that your Switched Portable Power Station is switched off and not plugged in or any devices plugged into it before cleaning or maintaining it.
- **Cleaning:** Wipe down the surface of your product using a soft, slightly damp cloth.
- Do not use any harsh or abrasive cleaning chemicals or materials on your product, as doing so may damage or scratch the surface finish.
- Do not expose your product to direct sunlight or high temperatures for extended periods.
- Do not store in temperatures over 140 °F (60 °C).

ENVIRONMENTALLY FRIENDLY DISPOSAL

IMPORTANT INFORMATION FOR CORRECT DISPOSAL OF THE PRODUCT FOLLOWING THE EUROPEAN DIRECTIVE ON WASTE ELECTRICAL AND ELECTRONIC EQUIPMENT.

- At the end of its working life, the product must not be disposed of as urban waste. It must be taken to a particular local authority differentiated waste collection centre or a dealer providing this service. Disposing of a household appliance separately avoids possible negative environmental and health consequences from inappropriate disposal. It enables the constituent materials to be recovered to obtain significant savings in energy and resources. As a reminder of the need to dispose of household appliances separately, the product is marked with a crossed-out wheeled dustbin.
- Never dispose of used electronics with ordinary solid waste since they contain toxic substances.
- Always dispose of used electronics following the prevailing community regulations that apply to the disposal of electronics. If there are no regulations concerning electronics disposal, please dispose of the device in a waste bin for electronic devices.

 WARNING	Lithium-ion Batteries and/or products that contain Lithium-ion Batteries can expose you to chemicals including cobalt lithium nickel oxide, and nickel, which are known to the State of California to cause cancer and birth defects or other reproductive harm. For more information go to www.P65Warning.ca.gov .
--	--



DISCLAIMER

All product and company names are trademarks™ or registered® trademarks of their respective holders. Use of them does not imply any affiliation with or endorsement by them.

WARRANTY

This Switched Portable Power Station includes a standard 12-month limited warranty against manufacturing defects and faults. Should the product be unboxed with any faulty parts, poor finishing, visible damage, or failure to perform due to a manufacturing defect or poor workmanship, please return it with your proof of purchase (till slip or invoice) to the store of purchase for an exchange, or repair, depending on the store's returns policy.

This warranty commences from the date of purchase.

Kindly retain your proof of purchase and the packaging for your warranty period.

NOTE:

The warranty does not apply to a product that:

- a. Has failed due to excessive wear and tear beyond what is considered reasonable.
- b. Has been misused or neglected.
- c. Has been damaged accidentally or by Force Majeure, including fire and flooding.
- d. Has been used or operated contrary to operating or maintenance instructions outlined in this manual.

The Store of Purchase / Seller cannot accept any returned products that have not been returned in accordance with this warranty or which do not follow their own Returns Policy. Please refer to the Store of Purchase / Sellers Returns Policy for details.

Please contact the store of purchase if you require assistance or have queries about your warranty.