

# ST-07 | SUBMERSIBLE BOREHOLE PUMPS



302ST-0715 • 302ST-0720 • 302ST-0730 • 302ST-0734

The Speroni submersible borehole pump range covers a wide range of pumping duties for agricultural and domestic applications. Floating type impellers require less starting torque and are less affected by sand or other abrasive materials. Pumps with less than 19 impellers are fitted with one shaft bearing and pumps with more than 19 impellers are fitted with two bearings.

## APPLICATION

- Water supply
- Irrigation
- Pressure boosting

## OPERATING CONDITIONS

- Sand content: Max. 50 g/m<sup>3</sup>

## MOTOR

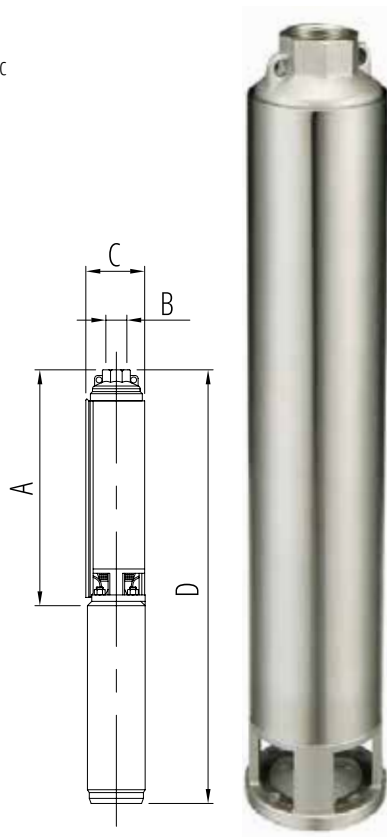
- Insulation Class F
- Protection IP68

## MATERIALS

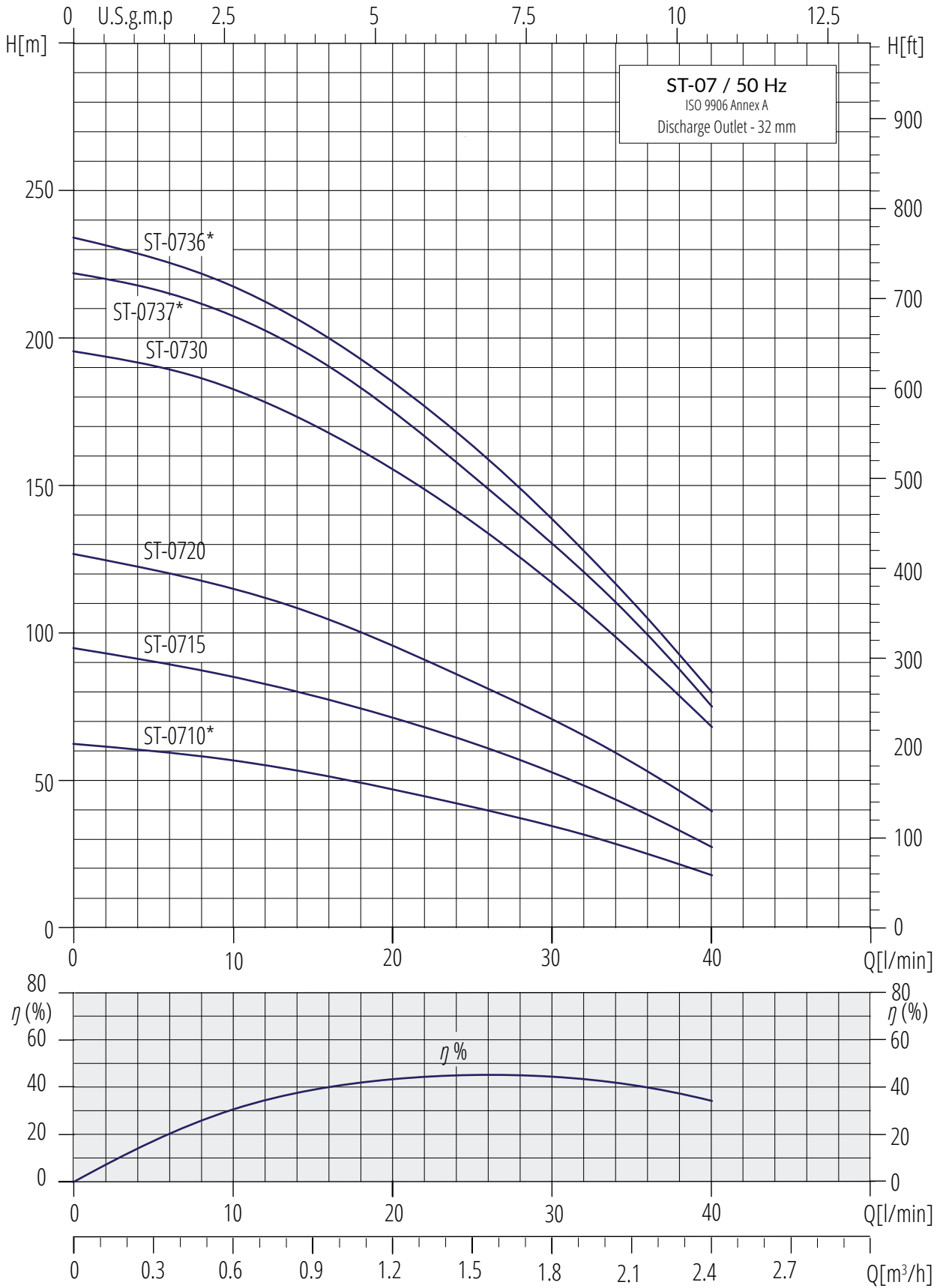
- Shaft - Hex 304 Stainless Steel
- Shaft Coupling - 304 Stainless Steel
- Impeller - Nonyl
- Strainer - 304 Stainless Steel
- Discharge Head - 304 Stainless Steel

| SINGLE-PHASE MOTORS |               |                      |    |      |
|---------------------|---------------|----------------------|----|------|
| TYPE                | DIMENSIONS mm |                      |    |      |
|                     | A             | B                    | C  | D    |
| 302ST-0715          | 420           | RP/<br>NPT<br>1 1/4" | 98 | 785  |
| 302ST-0720          | 510           |                      | 98 | 890  |
| 302ST-0730          | 730           |                      | 98 | 1135 |
| 302ST-0734          | 833           |                      | 98 | 1273 |

| THREE-PHASE MOTORS |               |                      |    |      |
|--------------------|---------------|----------------------|----|------|
| TYPE               | DIMENSIONS mm |                      |    |      |
|                    | A             | B                    | C  | D    |
| 302ST-0715         | 420           | RP/<br>NPT<br>1 1/4" | 98 | 766  |
| 302ST-0720         | 510           |                      | 98 | 875  |
| 302ST-0730         | 730           |                      | 98 | 1110 |
| 302ST-0734         | 833           |                      | 98 | 1238 |



| TYPE       | MOTOR |      | Q = CAPACITY              |     |     |     |     |     |     |     |     |     | PUMP         | ELECTRO PUMP    |      |
|------------|-------|------|---------------------------|-----|-----|-----|-----|-----|-----|-----|-----|-----|--------------|-----------------|------|
|            | P2    |      | m <sup>3</sup> /h         | 0.3 | 0.6 | 0.9 | 1.2 | 1.5 | 1.8 | 2.1 | 2.4 | 2.7 |              | NET WEIGHT (kg) |      |
|            | kW    | HP   | ℓ/min                     | 5   | 10  | 15  | 20  | 25  | 30  | 35  | 40  | 45  | Single-phase | Three-phase     |      |
|            |       |      | Total head in meters w.c. |     |     |     |     |     |     |     |     |     |              |                 |      |
| 302ST-0715 | 0.55  | 0.75 | 95                        | -   | 86  | 78  | 72  | 63  | 53  | 41  | 28  | -   | 4.3          | 12.5            | 11.7 |
| 302ST-0720 | 0.75  | 1.0  | 127                       | -   | 115 | 107 | 96  | 84  | 71  | 56  | 40  | -   | 5.3          | 14.1            | 13.5 |
| 302ST-0730 | 1.1   | 1.5  | 195                       | -   | 183 | 171 | 156 | 138 | 117 | 94  | 69  | -   | 7.4          | 17.4            | 16.3 |
| 302ST-0734 | 1.5   | 2.0  | 222                       | -   | 207 | 194 | 175 | 154 | 130 | 104 | 76  | -   | 9.3          | 20.8            | 19.3 |



\* Non-Stock item: Special order required