

VOLUMETRIC PUMPS

309KPM50 • 309KPM80



APPLICATION

Volumetric water pumps are able to offer high pressures in relation to comparatively low powers and which have particularly steady operating curves. They are qualified in domestic fittings, to increase the system pressure in aqueducts and for automatic water distribution by small autoclave tanks or by hydrosphere units. For the correct functioning of the pump, use clean water, or non-aggressive liquids only, without sand or other solid impurities.



OPERATING CONDITIONS

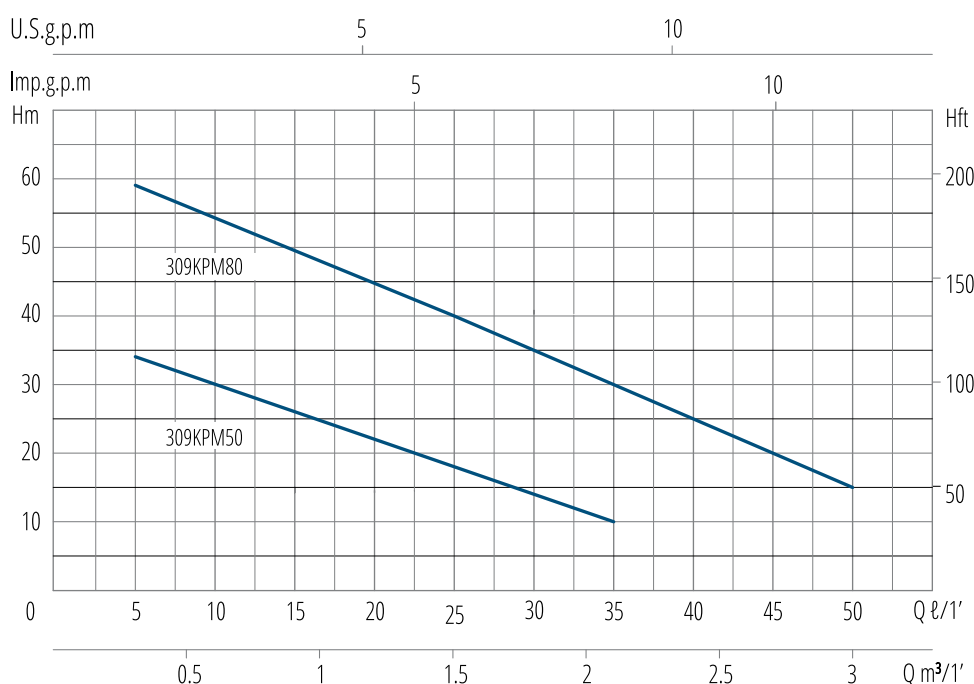
- Liquid temperature up to 60°C
- Ambient temperature up to 40°C
- Total suction lift up to 7 m
- Continuous duty

MOTOR

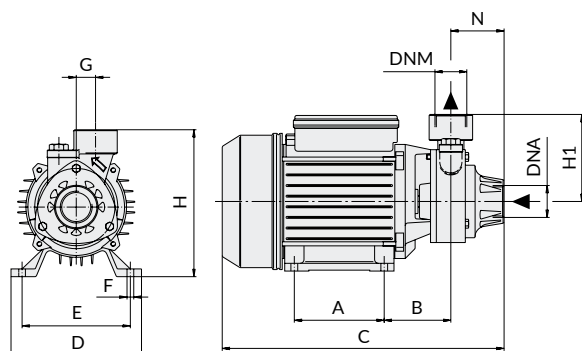
- 2-Pole induction motor (n = 2850 min-1)
- Insulation Class F
- Protection IP44

MATERIALS

- Pump body - Cast Iron
- Motor support - Cast Iron
- Impeller - Brass
- Shaft with rotor - Stainless Steel AISI 304
- Mechanical seal - Ceramic/Graphite/NBR



TYPE	NOMINAL POWER		INPUT POWER	AMPERE	Q = CAPACITY									
	HP	KW	KW		Total head in meters w.c.									
Single-phase	P2		P1	Single-phase	m ³ /h	0,3	0,6	0,9	1,2	1,5	1,8	2,1	2,4	3
					l/1'	5	10	15	20	25	30	35	40	50
230V-50Hz				1 x 230V										
309KPM50	0,5	0,37	0,55	2,9	H	34	30	25	22	17	13	10		
309KPM80	0,8	0,6	0,9	4	(m)	59	55	50	45	40	35	30	25	15



TYPE	DIMENSIONS mm												WEIGHT
	A	B	C	D	E	F	G	H	H1	N	DNA	DNM	
Single-phase													kg
309KPM50	80	65	255	120	100	7	20	144	81	50	1"	1"	6,5
309KPM80	90	70	295	135	112	7	20	161	90	55	1"	1"	9,2