

**Made in South Africa by
South Africans for
South Africans**

SUPASHELF
KEEPING YOUR WORK SPACE TIDY

DIY STORAGE SHELVES

4 SHELVES - NO BOLTS REQUIRED

- Galvanized frame & wooden shelves
- Shelves can be adjusted to any height
- Strong & sturdy construction
- Nylon stabilising feet
- Easy to assemble

DIMENSIONS : H1515mm x W912mm x D406mm

PACKAGE CONTENTS :

- 4 x MDF wooden shelves
- 8 x long support beams
- 8 x short support beams
- 4 x steel upright posts
- 4 x nylon feet
- Assembly instructions



**RUBBER Mallet
REQUIRED FOR
ASSEMBLY**

*Manufactured in
South Africa*



ASHFORD
RETAIL EQUIPMENT CO.



6 009900 431406

IMPORTANT: PLEASE READ ALL ASSEMBLY & WEIGHT CAPACITY INSTRUCTIONS BEFORE USING THIS PRODUCT.

Assembly Diagram: louver shelving unit 1500 high

Diagram safety guidelines for assembly and use of the product

- 1) Please be aware of sharp corners and edges when assembling the product especially if children are present.
- 2) Please do not step or stand on the product or attempt to use it as a ladder as it is not designed for such use.
- 3) Please do not exceed the weight capacities as specified on the packaging.
- 4) all weights specified per shelf level are for a evenly distributed load across the entire surface of the shelf

**Complete : Unit at 1500mm High
with 4 supawood decks**



Uprights. 4 off Supplied at 1500 high

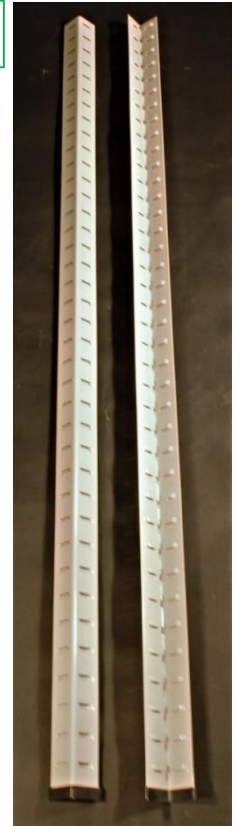
**short beams 8 off supplied.
long beams 8 off supplied.**



Supawood decks. 4 off supplied



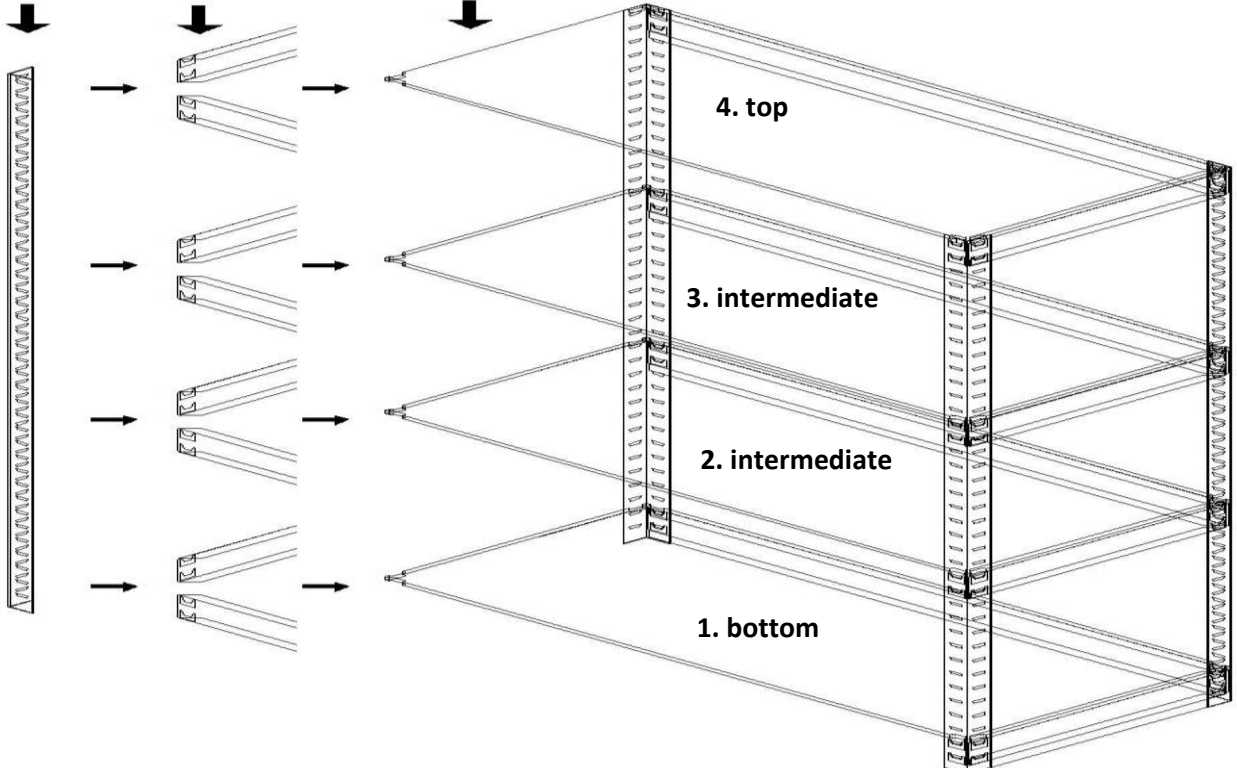
**feet.
4 off Supplied**



LOUVER
UPRIGHT

CLIP IN
BEAMS

SUPAWOOD
DECK

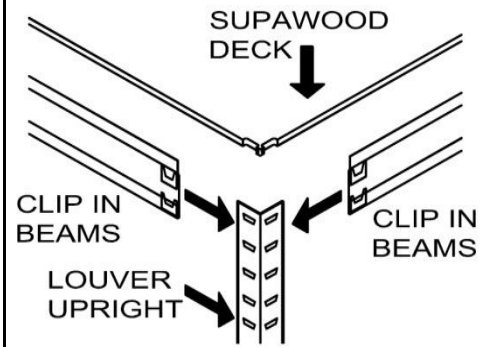


Assembly Diagram: louver shelving unit 1500 high

shelf 4. top



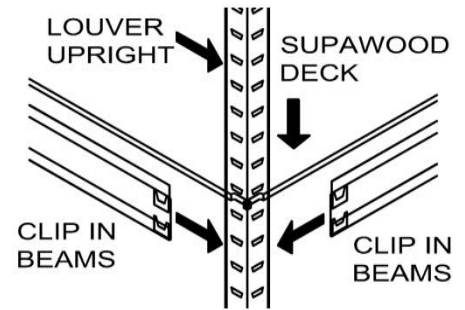
upright 1500mm long
supawood deck
short clip in beam
long clip in beam



shelf 3. intermediate



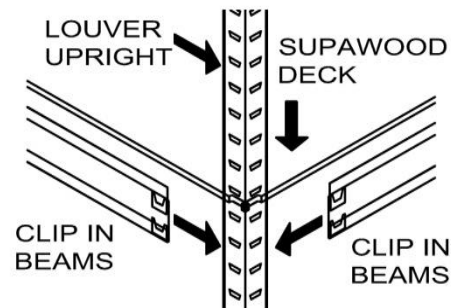
upright 1500mm long
supawood deck
short clip in beam
long clip in beam



shelf 2. intermediate



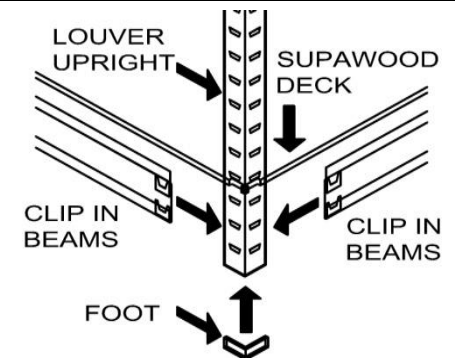
upright 1500mm long
supawood deck
short clip in beam
long clip in beam



Shelf 1. bottom shelf



upright 1500mm long
supawood deck
short clip in beam
long clip in beam
1 foot for each upright



parts included :
4 wooden decks
4 uprights
4 feet
8 short beams
8 long beams

Take note : start with the bottom beams and wooden deck first then proceed with intermediate beams and decks . level by level

tools required : rubber hammer.
not included in the set.