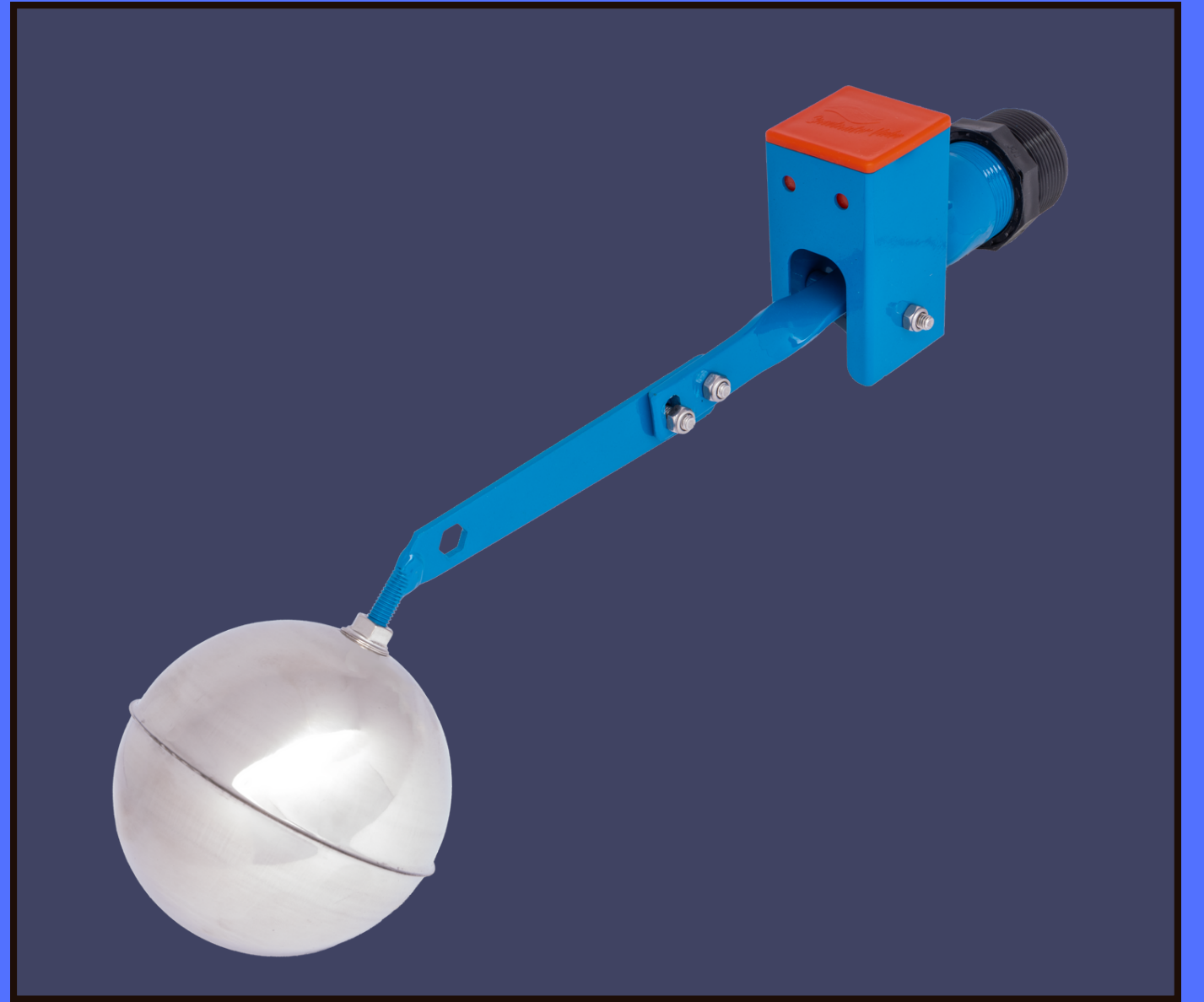


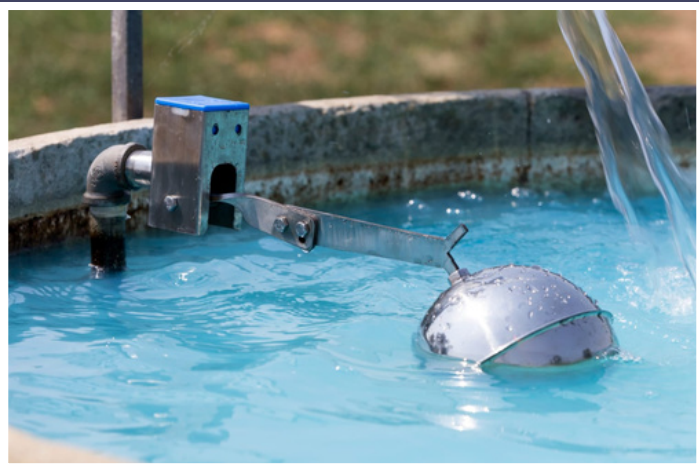


Sweetwater Valve



Years of practical research lead to the development of the Sweetwater Valve by Ben Ingram and his Son MG Ingram. The Valve is manufactured on their farm Sweetwater, near Wepener in the Free State.

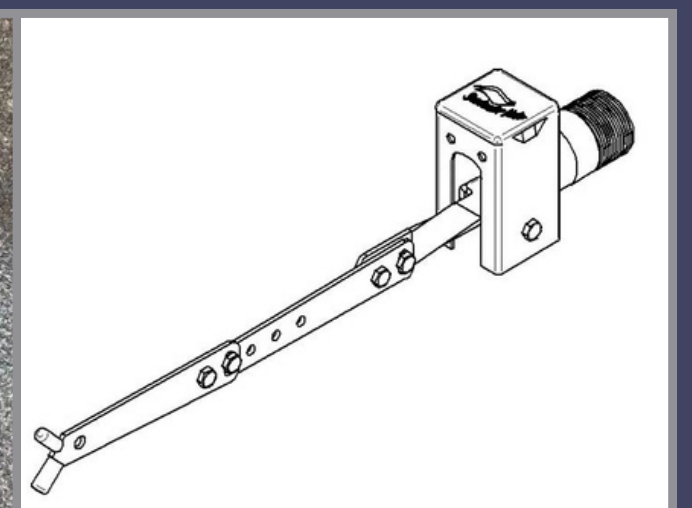
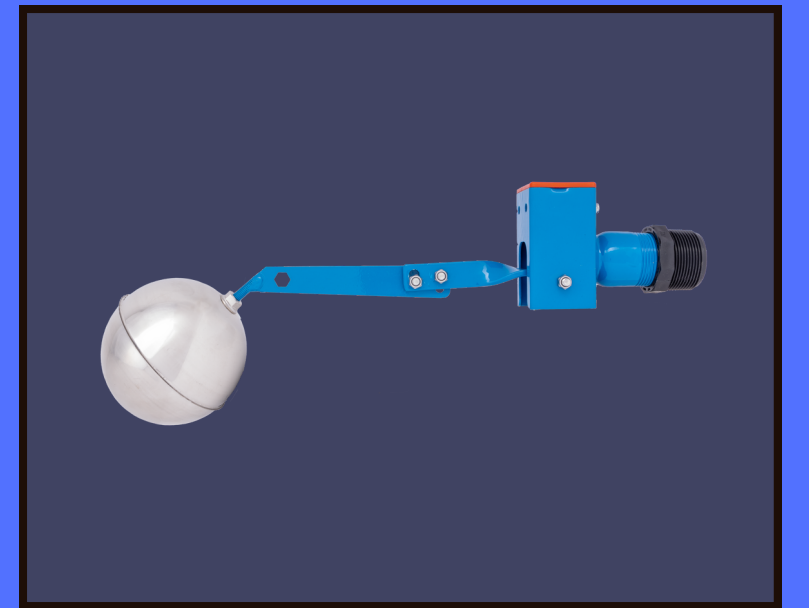
STAINLESS STEEL



- **BEN 4**
Stainless steel:
20/25mm inlet
- **BEN 5**
Stainless steel:
32/40mm inlet

MILD STEEL

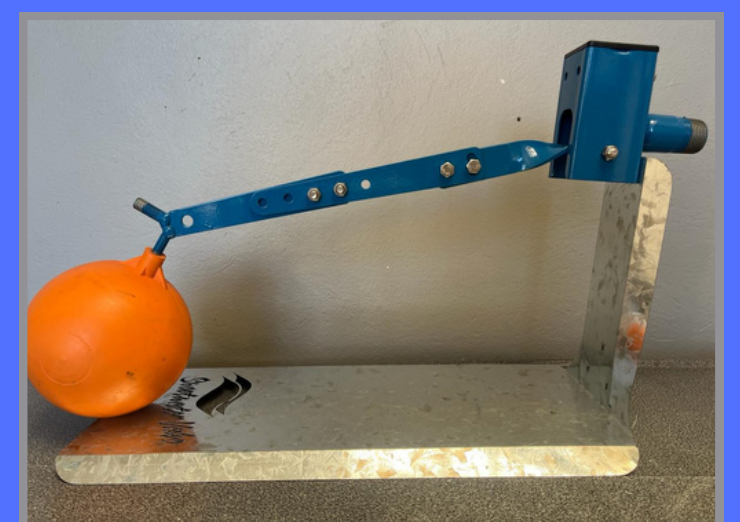
- **BEN 1**
Mild steel: 20/25mm inlet
- **BEN 2**
Mild steel: 32/40mm inlet



Die nuwe aangepaste steel kan van kort na lank verstel, soos die behoefte en grootte van krip

- Produce high volumes during pressure time
- Durable materials and stainless-steel bolts & nuts
- Water level adjustments
- High and low water level adjustment options
- Cold resistant
- Can connect to any container
- Durable rubber
- Large inlet hole that prevents clogging

- **BEN 3**
Replacement
rubber



SWEETWATERVALVE@GMAIL.COM

084500 1702 / 0828874377 / 0723757519