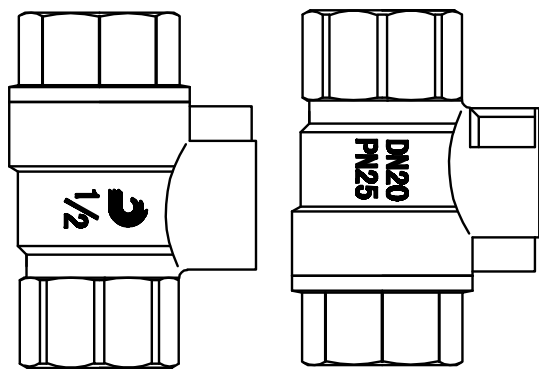


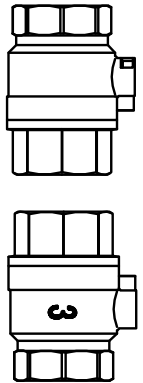
FOR 8MM to 50MM:



E	A	B	C	D	L	DN	weight	CODE NO.
1/4	41	21	45	85	9	9	110	320008
3/8	43	23.5	46	85	12	10	135	320010
1/2	49	28.5	48	100	12	14	167	320015
3/4	54.5	35.5	51	100	12	19	237	320020
1	66.5	42.5	57	112	14.5	22	357	320025
1-1/4	72.5	52.5	70	140	14	29	540	320032
1-1/2	85.5	62.5	75	140	15	35	775	320040
2	94.5	74	85	165	18	43	1160	320050
2-1/2	116	97	103	235	18.5	57	2350	320065
3	139	114	123	240	22.5	69	3540	320080
4	165	138.5	135	240	29.5	85	6000	320100



FROM 65MM TO 100MM BODY WITHOUT LOGO, AS BELOW:



NO	NAME	MATERIAL
9	NUTS	S.S.
8	HANDLE	IRON
7	NUTS	BRASS
6	GASKET	PTFE
5	STEM	BRASS
4	O-RING	PTFE
3	BALL	BRASS
2	BONNET	BRASS
1	BODY	BRASS

8MM-100MM

BRASS BALL VALVE FF
(FULL BORE)

date	Name

drew
conf.

DATED: JULY 24, 2015