

TOLERANCES	LINEAR-DIMENSION				
	>6-30	>30-60	>60-120	>120-200	>200-300
ALL. MACHININGS mm	±0.2	±0.3	±0.7	±1	±3

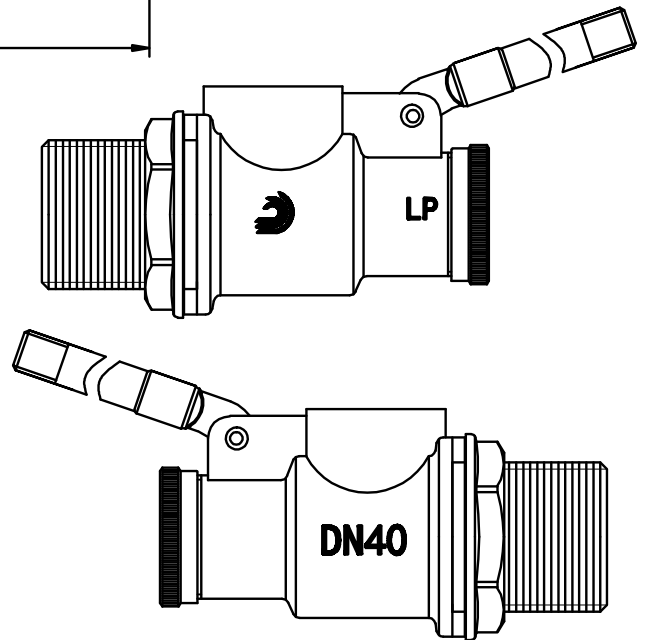
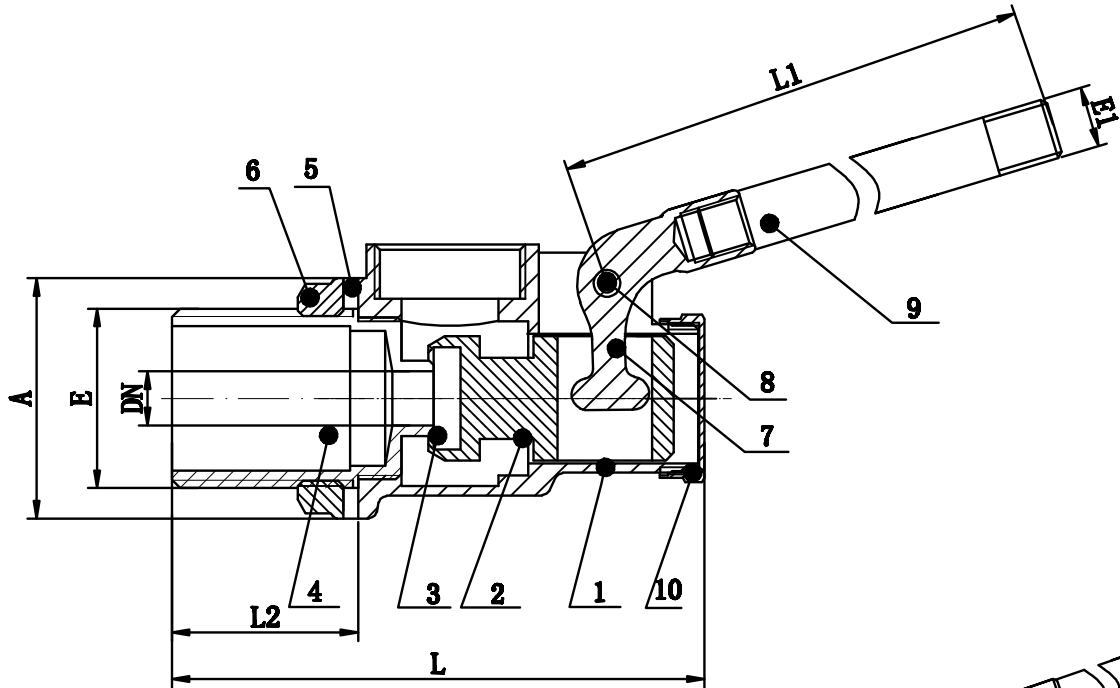
**Specification:**

1. Nominal pressure: 1.6MPa;
2. Working medium: Water, Gas, Oil (Non-corrosive);
3. Working temperature: -10°C to 120 °C;
4. Thread standard: according to ISO228-1;

CODE NO.	E	DN	L	L1	L2	E1	A	weight
333700-015	1/2	3.8	75	286	30	M8	34	290
333700-020	3/4	5	92	340	30	M8	34	430
333700-025	1	9	102	420	36.5	M10	44.5	670
333700-032	1-1/4	11.5	147	422	41	M12	60	1390
333700-040	1-1/2	14.5	158	452	52	M12	60	1440
333700-050	2	19	156	542	50	M12	60	1650

10	CASE	BRASS
9	TIE ROD	BRASS
8	PIN	BRASS
7	ROTOR	BRASS
6	PRESS NUTS	BRASS
5	O-RING	NBR
4	TIE-IN	BRASS
3	GASKET	NBR
2	CORE	BRASS
1	BODY	BRASS
ITEM	NAME	MATERIAL

TOLERANCES	LINEAR-DIMENSION					REMARK: 1.THE UNIT WEIGHT CAN BE ACCEPTED WITH IN 49%. 2.THE TOLERANCE CAN BE ACCEPTED AS THE SHEET.	BRASS FLOAT VALVE (3P) 15MM-50MM DATED: FEBRUARY 26, 2022
	>6-30	>30-60	>60-120	>120-200	>200-300		
ALL. MACHININGS mm	±0.2	±0.3	±0.7	±1	±3		

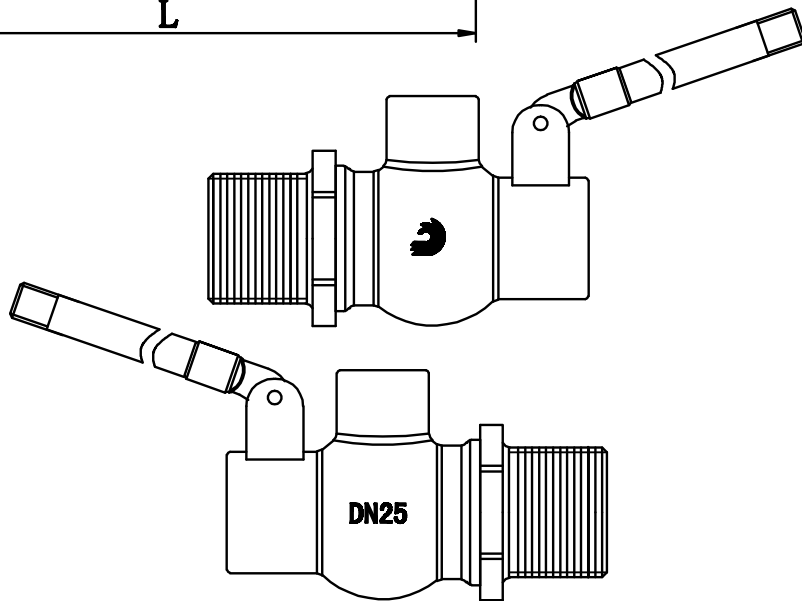
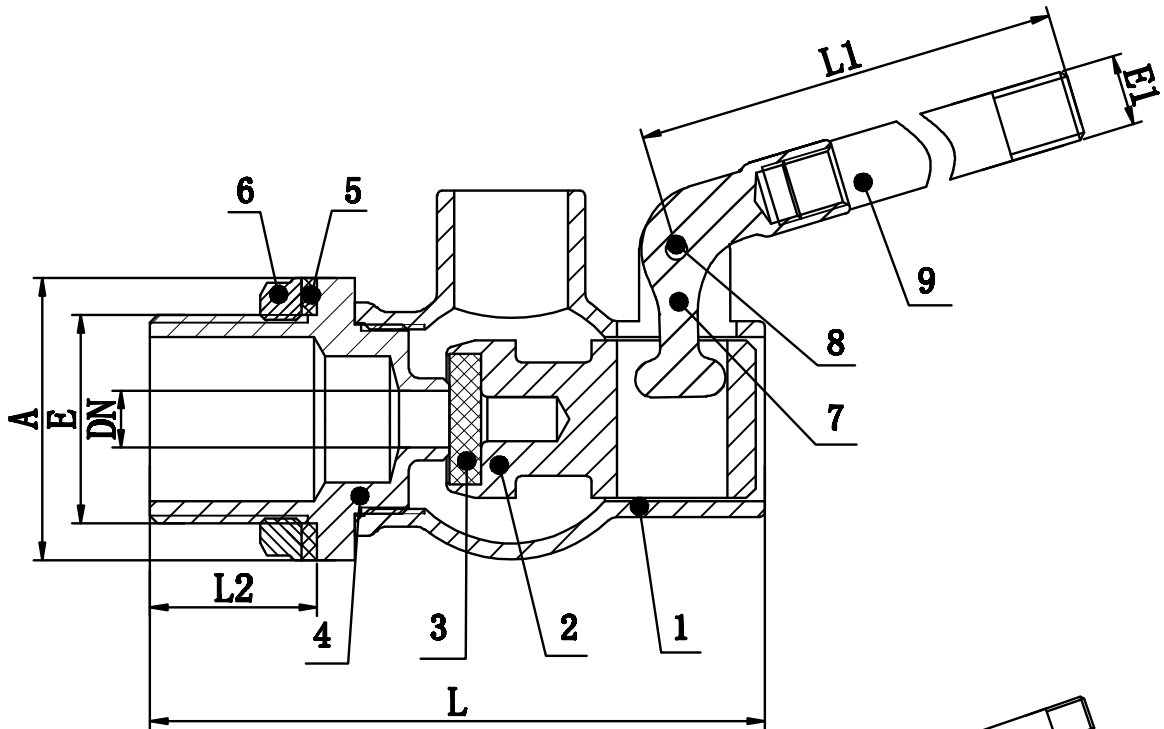


**Specification:**

1. Nominal pressure: 1.6MPa;
2. Working medium: Water, Gas, Oil (Non-corrosive);
3. Working temperature: -10°C to 120 °C;
4. Thread standard: according to ISO228-1;

CODE NO.	E	DN	L	L1	L2	E1	A	weight	10	CASE	BRASS
333710-015	1/2	4.5	75	286	30	M8	34	283	9	TIE ROD	BRASS
333710-020	3/4	10	92	340	30	M8	34	425	8	PIN	BRASS
333710-025	1	11.5	102	420	36.5	M10	44.5	660	7	ROTOR	BRASS
333710-032	1-1/4	16.5	147	422	41	M12	60	1380	6	PRESS NUTS	BRASS
333710-040	1-1/2	19	158	452	52	M12	60	1430	5	O-RING	NBR
333710-050	2	25	156	542	50	M12	60	1640	4	TIE-IN	BRASS
									3	GASKET	NBR
									2	CORE	BRASS
									1	BODY	BRASS
									ITEM	NAME	MATERIAL

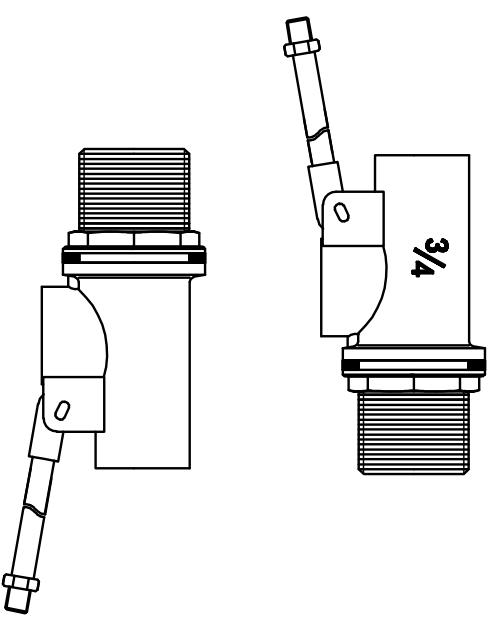
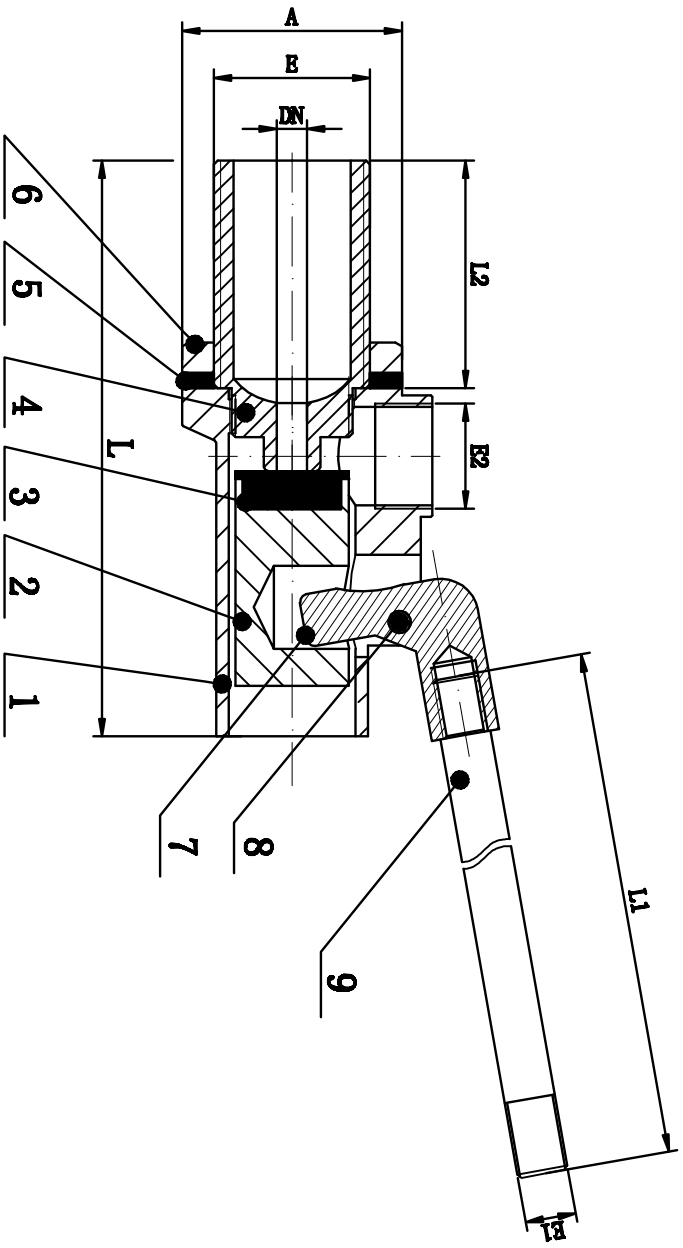
TOLERANCES	L.TIE-IN-DIMENSION					REMARK: 1.THE UNIT WEIGHT CAN BE ACCEPTED WITH IN 49%. 2.THE TOLERANCE CAN BE ACCEPTED AS THE SHEET.	BRASS FLOAT VALVE (LP) 15MM-50MM DATED: FEBRUARY 26, 2022
	>6-30	>30-60	>60-120	>120-200	>200-300		
ALL DIMENSIONS mm	±0.2	±0.3	±0.7	±1	±3		



9	TIE ROD	BRASS
8	PIN	BRASS
7	ROTOR	BRASS
6	PRESS NUTS	BRASS
5	O-RING	NBR
4	TIE-IN	BRASS
3	GASKET	NBR
2	CORE	BRASS
1	BODY	BRASS
ITEM	NAME	MATERIAL

CODE NO.	E	DN	L	L1	L2	E1	A	weight
995015	1/2	8	65.5	286	21	M8	SW23.5	290
995020	3/4	8	65.5	286	21	M8	SW29.5	330
995025	1	9	91.5	420	26.5	M10	SW39.5	666

TOLERANCES	LINEAR-DIMENSION					REMARK: 1.THE UNIT WEIGHT CAN BE ACCEPTED WITH IN ±2%. 2.THE TOLERANCE CAN BE ACCEPTED AS THE SHEET.	BRASS FLOAT VALVE (BCO) 15MM-25MM DATED: MAY 24, 2016
	>6-30	>30-60	>60-120	>120-200	>200-300		
ALL MACHININGS mm	±0.2	±0.3	±0.7	±1	±3		



CODE NO.	E	DN	L	L1	L2	E1	E2	A	WEIGHT/g
333720-015	1/2"	4	72	230	30	M8	63/8	33	265
333720-020	3/4"	6	72.5	230	31	M8	63/8	34	275
333720-025	1"	10	94	310	36	M10	61/2	43	570
333720-032	1-1/4"	11.5	99	310	40	M10	63/4	52	660
333720-040	1-1/2"	14	138	380	48	M12	61	60	1270
333720-050	2"	16	140	380	50	M12	61	71	1400

**REMARK:**  
 1.THE UNIT WEIGHT CAN BE ACCEPTED WITH IN ±3%.  
 2.THE TOLERANCE CAN BE ACCETED AS THE SHEET.

**Specification:**  
 1. Nominal pressure:1.6MPa;  
 2. Working medium: Water;  
 3. Working temperature: -10°C to 110 °C;  
 4. Thread standard: according to ISO228;

NO.	PARTS	MATERIAL
9	TIE ROD	BRASS
8	PIN	BRASS
7	ROTOR	BRASS
6	PRESS NUTS	BRASS
5	O-RING	NBR
4	TIE-IN	BRASS
3	GASKET	SILICONE RUBBER
2	CORE	BRASS
1	BODY	BRASS

TOLERANCES	LINEAR-DIMENSION				
	>6-30	>30-60	>60-120	>120-200	>200-300
ALL MACHINING MM	±0.2	±0.3	±0.7	±1	±3

**BRASS FLOAT VALVE MEDIUM TYPE**  
**15MM-50MM**  
 JULY 14TH, 2022