

285*210mm



KAUFMANN

ELECTRONIC WATER TIMER

H1006

Only 2-AA batteries required(not included)



Always Read Instruction Manual
Retain for Future Reference

Safety instructions

This product complies with European and national requirements. In order to meet these requirements and to ensure conformity, we ask you to follow these instructions. It contains important information regarding the operation and use of this product. Please keep these instructions for future reference. If you pass the watering computer on to third parties, be sure to include these operating instructions.

No liability is accepted for damage caused by improper operation or for consequential damage resulting therefrom. No liability is accepted for damage to property or personal injury resulting from improper operation or failure to observe the safety instructions. For safety reasons, please do not make any changes to the product yourself.

The watering computer is exclusively for controlling watering systems. It is suitable exclusively for private use in outdoor watering systems. Read the operating instructions carefully, especially the safety instructions, before using the watering computer.

WARNING:

Hazards for children and persons with reduced physical, sensory or mental abilities (e.g. partially disabled, other persons with reduced physical and mental abilities) or lack of experience and knowledge.

This watering computer can be used by children aged eight years and above and persons with reduced physical, sensory or mental capabilities or lack of experience and knowledge if they have been given supervision or instruction concerning use of the watering computer in a safe way and understand the hazards involved. Children are not allowed to play with the water computer. Cleaning and maintenance must not be carried out by children without supervision.

Keep children younger than eight years of age away from the watering computer.

Batteries can be life-threatening if swallowed. Therefore, keep the watering computer and batteries out of reach of small children. If a battery is swallowed, seek medical assistance immediately.

Do not allow children to play with the packaging film. They can get caught in it while playing and suffocate. Risk of injury from batteries. Avoid risk of injury due to improper handling of batteries.

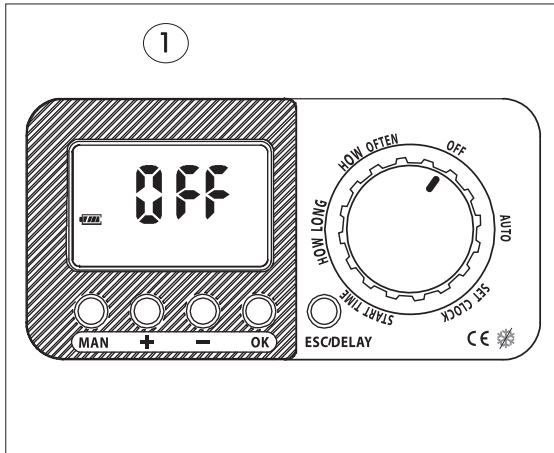
CAUTION: Risk of explosion if batteries are handled improperly. Do not attempt to reactivate, disassemble, dispose of in fire or short circuit batteries.

Avoid contact of battery fluid with skin, eyes and mucous membranes.

In case of contact with battery acid, immediately rinse the affected areas with plenty of clean water and seek medical attention immediately.

Never recharge non-rechargeable batteries.

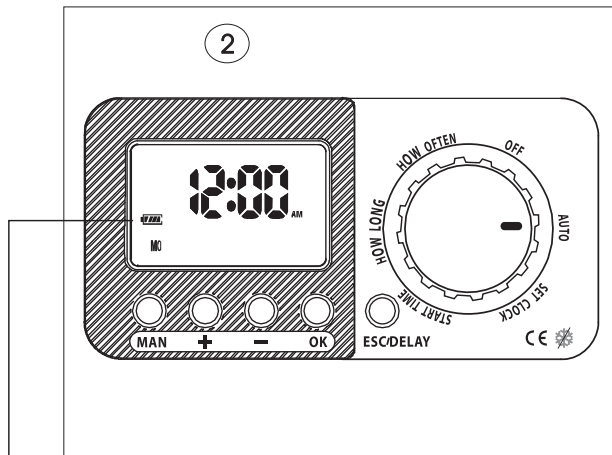
OPERATION MODE



OFF MODE

Dial the knob to the "OFF" position, the timer will shut off water

OPERATION MODE



AUTO MODE

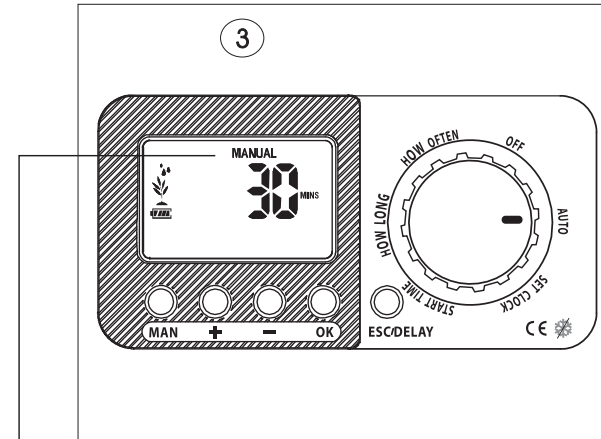
BATTERY ICON

- Maximum working time: One year.
- Minimum working time: Four weeks.
- Minimum working time: Four weeks.
- Low power, cannot work any more.

Dial the knob to the "AUTO" position, the valve will turn on automatically per your setted interval and run time.

3

OPERATION MODE



MANUAL MODE

MANUAL WATERING MODE ICON

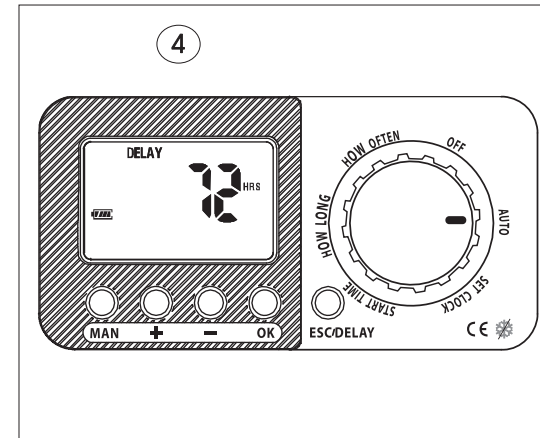
Dial the knob to the "AUTO" position:

1. Press "MAN" to enter Manual select mode.
2. Press "L/R" button to selection left side or right side to watering
3. Press "+" or "-" button, then the it will show default watering time 30 MINS from "-". Then adjust watering time form 1MINS to360 MINS.
4. Press "OK" button as confirmation.

Note:

1. Manual watering time is between 1MINS to360 MINS
2. After finishing setting one side, press "L/R" button instead of "OK", it will start to set up the other side, after finishing setting up, press "OK" button, both sides will run.
3. The watering icon will appear in Manual watering mode while not in selection mode.
4. When one side is watering, press Manual button to stop watering, while when two sides are watering, the right side will stop after press manual button;

OPERATION MODE



START TIME DELAY FUNCTION

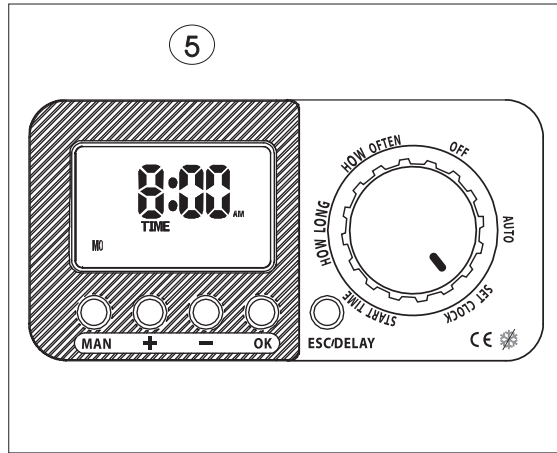
Turn the button to the "AUTO" position:

1. Press "ESC/DELAY" to enter Time Delay Function.
2. Press "+" and "-" button to select delay time;
3. Press "OK" button as confirmation.

Note: Altogether there are five time setting as: 24hours, 48hours, 72hours, 96hours and 120hours for you selection.

4

OPERATION PARAMETER

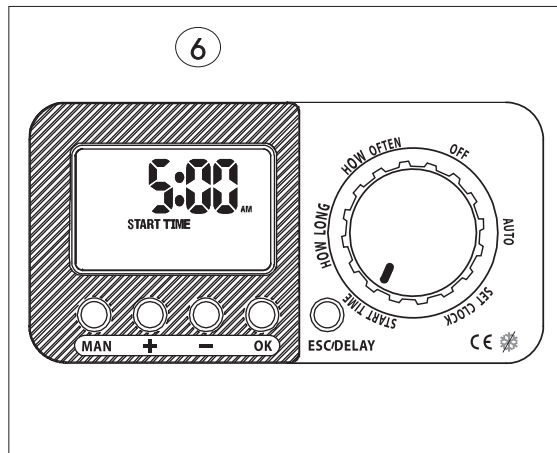


SET UP CURRENT TIME

1. Turn the button to the "SET CLOCK" position, and the interface shows time is flashing.
2. Press "+" and "-" to adjust hours.
3. After hours adjustment, press "OK" to adjust minutes.
4. Press "+" and "-" to adjust minutes.
5. After minutes adjustment, Press "OK" to adjust week.
6. Press "+" and "-" to adjust week.
7. Press "OK" button as confirmation.

The default time setting is a 24-hour mode. To switch between 24-hour mode and 12-hour mode(AM/PM), pls continuously press 'Man and +' buttons before insert battery box, release the buttons till battery box is fully installed. Then press '+and-' buttons to choose different hour mode, press 'OK' button as conformation

OPERATION PARAMETER

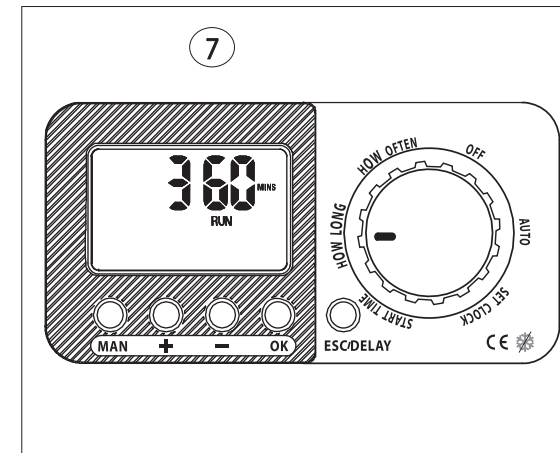


SET UP START TIME

1. Turn the button to the "START TIME " position, and the interface shows hours is flashing.
2. Press "+" and "-" to adjust start hours.
3. After hours adjustment, press "OK" to adjust minutes.
4. Press "+" and "-" to adjust minutes.
5. Press "OK" button as confirmation

5

OPERATION PARAMETER

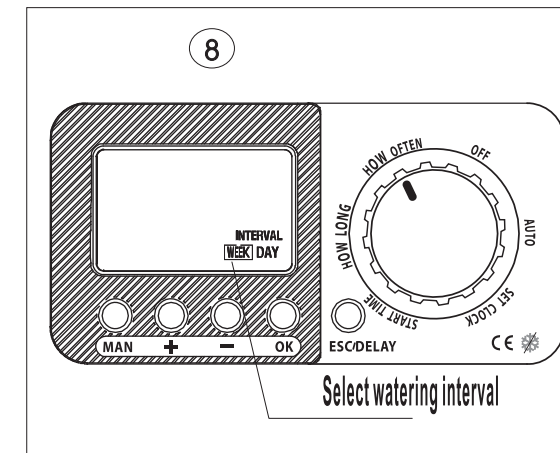


SET UP RUN TIME

1. Turn the button to the "HOW LONG" position, and the interface showse interface shows minutes is flashing.
2. Press "+" and "-" to adjust minutes.
3. Press "OK" button as confirmation.

Note: Run time is between 1-360 minutes.

OPERATION PARAMETER

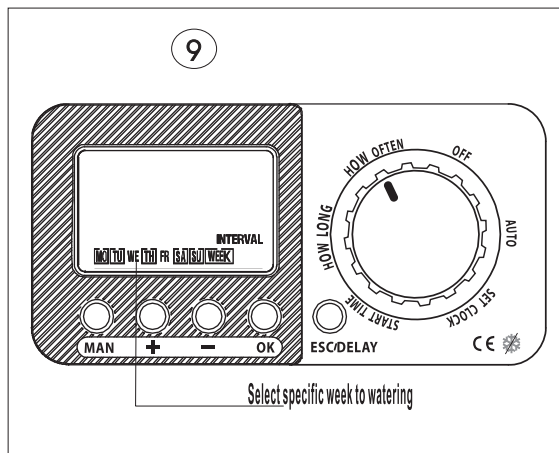


SELECT WATERING INTERVAL

1. Turn the button to the "HOW OFTEN" position.
2. Press "+" and "-" to choose watering interval by WEEK or DAY.
3. "WEEK" mean the valve will turn on automatically in weekly cycle.
4. "DAY" mean the valve will turn on automatically in daily cycle.

6

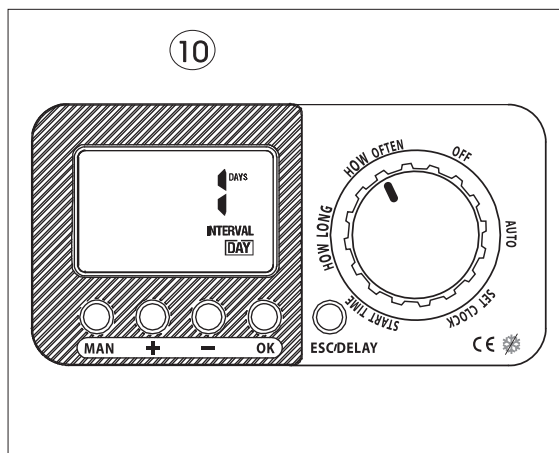
OPERATION PARAMETER



SELECT WATERING INTERVAL BY WEEK

1. Press "OK" to confirm watering interval by week.
2. Press "+" and "-" to choose the specific day of week to watering.
3. If press "OK", it mean it need watering in that day, meanwhile it will appear a block on that date.
4. If press "ESC/DALAY", it mean it doesn't need watering in that day.

OPERATION PARAMETER

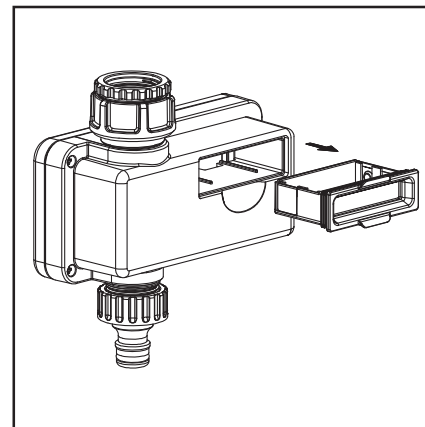


SELECT WATERING INTERVAL BY DAY

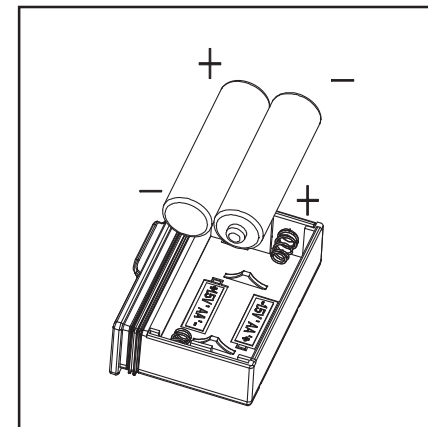
1. Press "OK" to confirm watering interval by day.
2. Press "+" and "-" to choose interval days.
3. Press "OK" to confirm the watering interval.

Note: Day Interval includes: 4hours, 6hours, 8hours, 12hours and 1 to 30days.

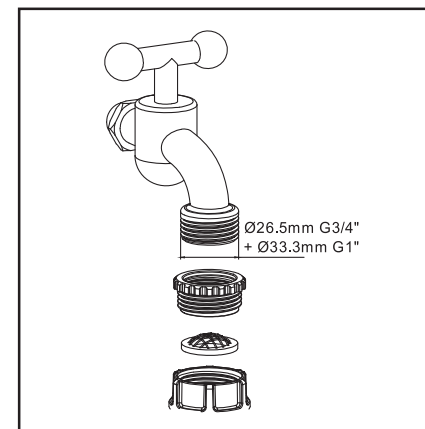
OPERATION TIPS



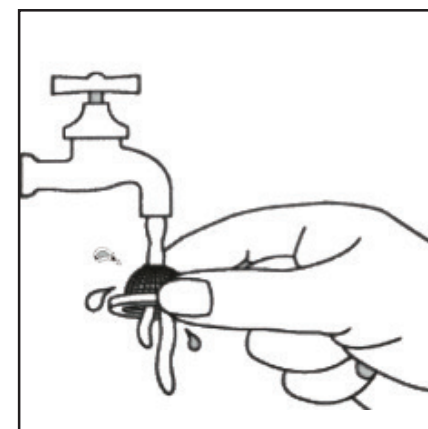
1. Take out the battery box



2. Insert 2"AA" batteries



3. Connecting with the tap
(Tap diameter is between 26.5mm-33.3mm)



4. Clean the filter



www.kaufmannhardware.co.za

Kaufmann products are exclusively manufactured for and distributed by Agrinet (Pty) Ltd.
Private Bag x165, Centurion, 0046
T: +27(0) 12 657 2222
E: enquiries@agrinet.co.za



Warranty Information: Kaufmann products have a limited warranty against defects in material and workmanship from the date of purchase. Kaufmann products have been designed for domestic/light industrial use. The warranty does not apply to defects resulting from accidental damage, improper use or exceeding the design limits of the product.

For full terms & conditions, please visit www.kaufmannhardware.co.za.