

Warranty claims should be submitted to factory or authorised service dealer
rallage or cartage paid

WARRANTY: 1 YEAR FROM DATE OF PURCHASE

The manufacturers will repair or replace, free of charge any part of parts
of this Cylinder Push Mower found defective in material and workmanship by
an authorised service dealer.

EXCLUDED FROM WARRANTY

1. Normal wear and tear.
2. Damage due to lack of owner and/or user maintenance.
3. Damage due to improper storage and/or lack of preparation for storage.
4. Damage in transit.
5. Negligence, misuse or abuse.
6. Accident.
7. Damage caused by out-of-balance conditions (bent blades, out-of-balance blades, loose blades, etc.)
8. Failure of owner and/or user to inspect, repair or have repaired immediately any abnormal conditions or equipment.

TANDEM operate a policy of continual improvement and reserve the right to
alter product specifications without giving prior notice. After each season, we
recommend that you have your machine serviced by your dealer, preferably
between May and August, to avoid delay at the start of the following season.

PLEASE KEEP THIS BOOKLET IN A SAFE PLACE
Tandem have a policy of continuous research and development
and thus reserve the right to change data without notice.

tandem

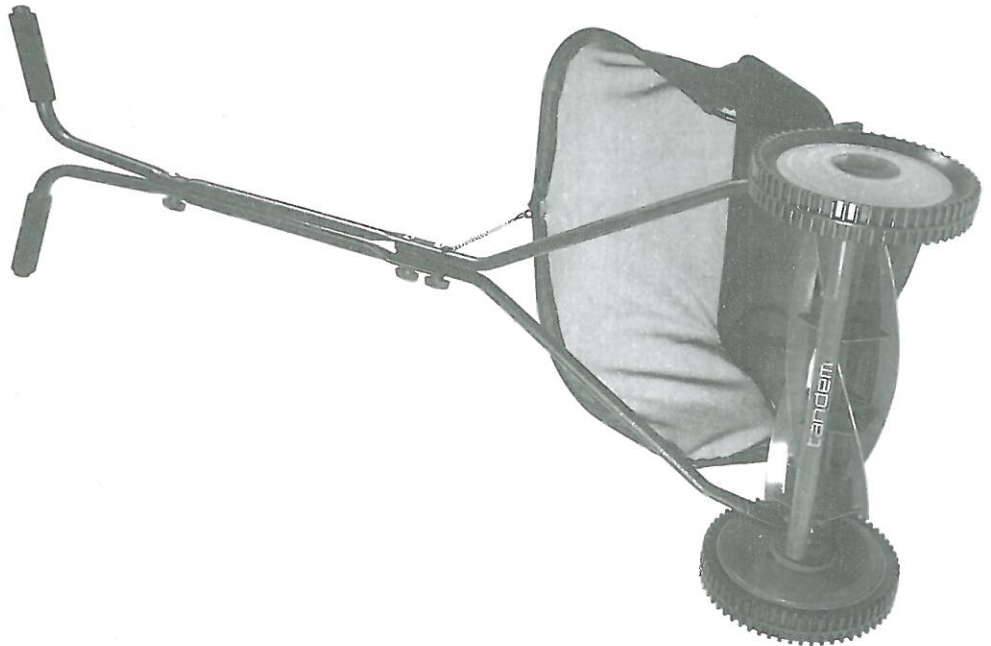
5 Invubu Park Place
Riverhorse Vally Bussiness Estate
Durban, 4017

P.O. Box 40264, Redhill, 4071
Ph: 031-5699300 Fax: 031-5696255

tandem

HAND PUSH MOWER

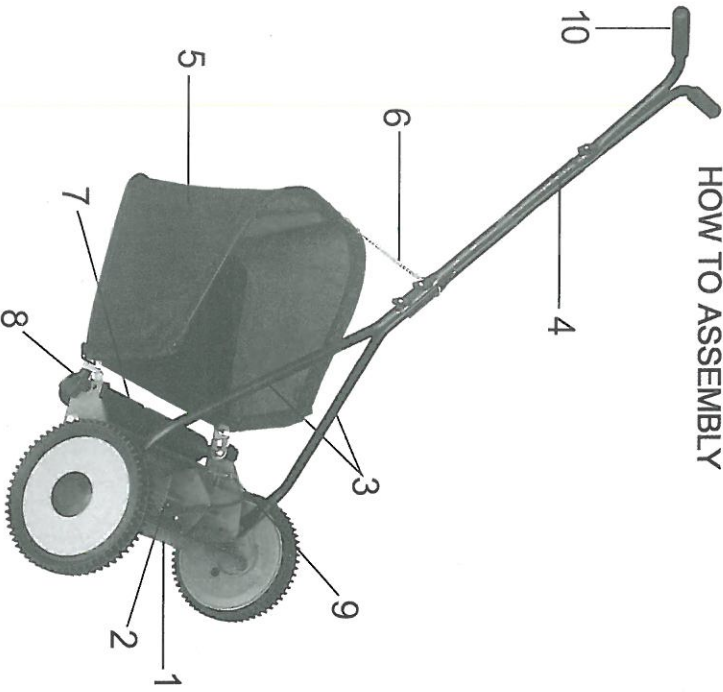
Operations and Assembly Instructions



SAFETY RULES

1. Read all instructions in this manual before using mower.
2. Inspect your lawn for any debris or foreign objects and remove them before mowing.
3. Never place your hands, fingers or feet inside the reel. Although not powered by a motor, when the wheels turn, the reel cuts.
4. Don't place your hands or feet near a moving part of the mower.
5. Don't operate the mower while barefoot or wearing sandals.
6. Walk slowly, never run. Don't mow excessively steep slopes. Always be sure of your footing when operating the mower.
7. Never mow when the grass is wet enough to be slippery.
8. Never intentionally strike or ram trees, fences, etc. This can cause injuries or severely damage to the mower.
9. Make sure your mower is in safe operating conditions. Don't attempt to operate the mower if it is damaged, have it repaired first.

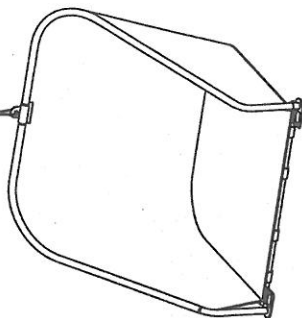
HOW TO ASSEMBLY



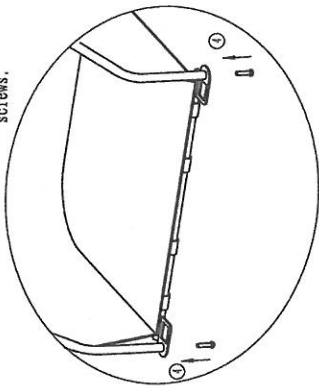
Components and Controls

- 1 Torsion bar
- 2 Cylinder reel
- 3 Lower handle
- 4 Upper handle
- 5 Grass collecting box
- 6 Support chain
- 7 Cutting height roller
- 8 Cutting height adjustment screws
- 9 Fixed blade setting screw
- 10 Grip

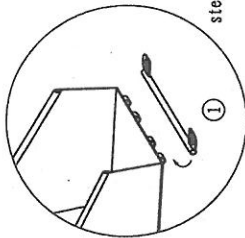
Grass Catcher



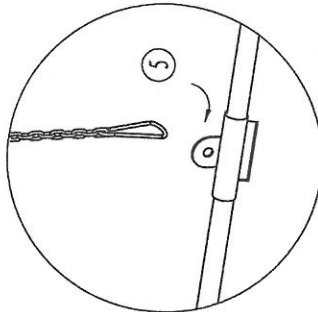
step4: Fix both tube end with screws.



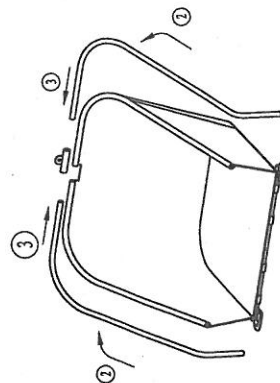
step1: Attach the tube to the plastic hook.



step5: Attach metal hook into the connector hole.

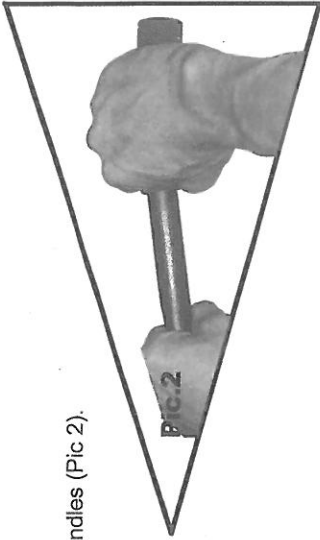


step2: Insert tubes into the fabric hole.
step3: Fit both tubes into the connector in the middle.

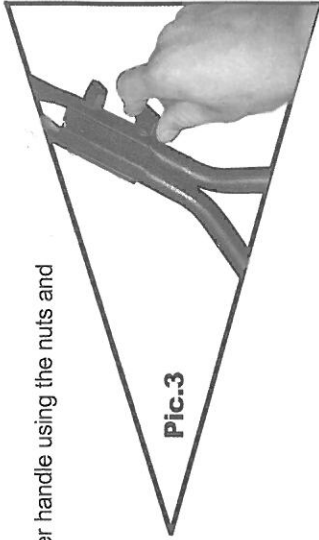


ASSEMBLY(Pic.2,3&4)

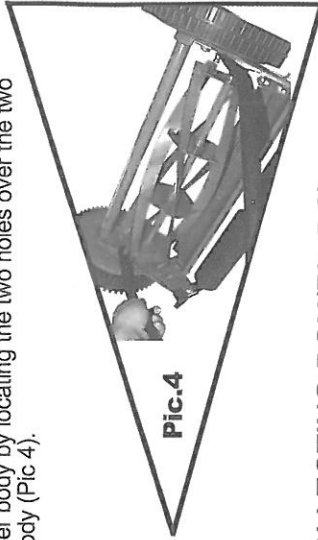
Put the grips onto the two upper handles (Pic 2).



Attach the upper handle to the lower handle using the nuts and screws provided (Pic 3).

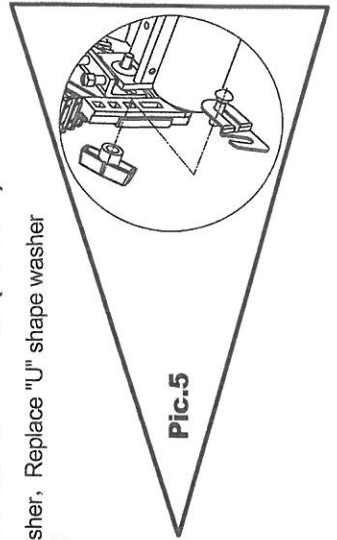


Attach the lower handle to the mower body by locating the two holes over the two pegs on either side of the mower body (Pic 4).

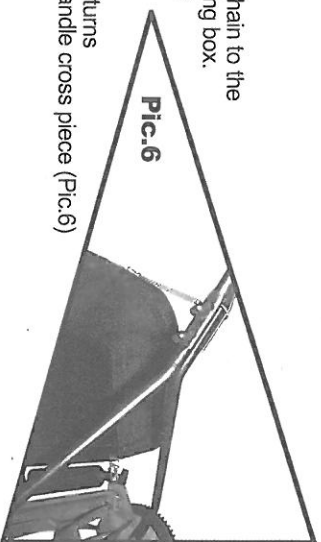


FITTING THE GRASS COLLECTING BOX(Pic.5-6)

Loose nut and take out "U" shape washer, Replace "U" shape washer with metal hook on both sides. (Pic.5)



Attach one end of the support chain to the upper edge of the grass collecting box. Hook the other end of the chain to the lower handle cross piece, the height of the grass collecting box can be adjusted by taking one or more turns of the chain around the lower handle cross piece (Pic.6)



FIXED BLADE SETTING(Pic. 7 & 8)

Warning! This operation will have to be done whilst carefully turning the cylinder blade. We strongly recommend that thick gardening gloves are worn. In order for the mower to work efficiently the fixed blade must be set correctly.

Loosening the blades

The cutting bar blade must be moved further from the cutting reel.

Loosen both back screws equally by turning them counterclockwise.

Tighten both front screws equally by turning them clockwise.

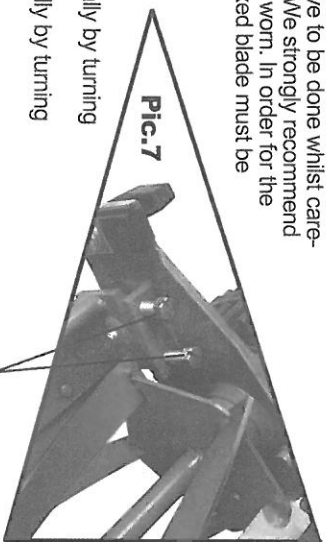
Tightening the blades

The cutting bar blade must be moved closer to the cutting reel.

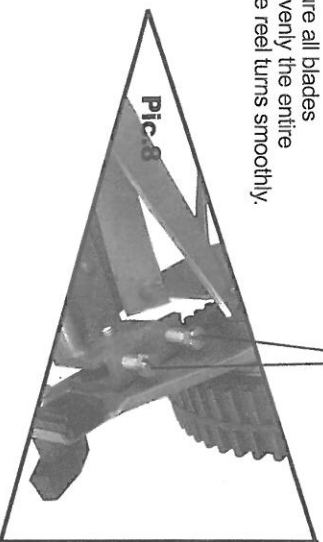
Loosen both front screws equally by turning them counterclockwise.

Tighten both back screws equally by turning them clockwise.

After adjusting blades, make sure all blades should slice the testing paper evenly the entire length of the cutter bar while the reel turns smoothly.

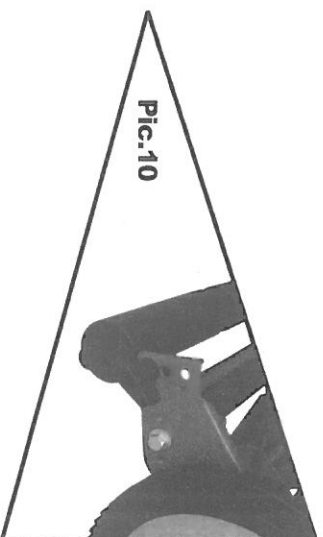
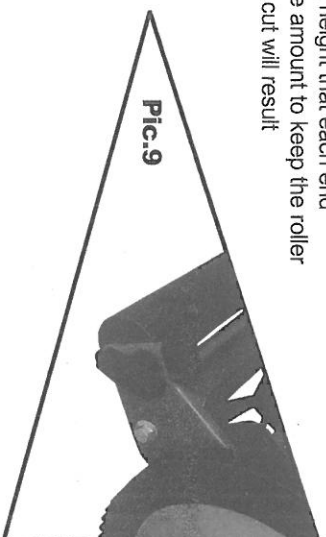


Adjusting Screws



CUTTING HEIGHT ADJUSTMENT (Pics.9&10)

The cutting height can be adjusted by raising or lowering the cutting height roller. Slacken the two knobs one on each side of the cutting height roller (Pic.9) and set the height of cut (Pic.10). It is important that when adjusting the cutting height that each end of the roller is adjusted by the same amount to keep the roller level. If this is not done, an uneven cut will result



CLEANING (WEAR GLOVES) AND MAINTAIN

It is important that you keep your Cylinder Mower in a clean condition. After each use, remove all grass cuttings that have collected in and around the wheels, roller and blades. we suggest a routine application of oil or lubricant (i.e.WD-40). This should be applied to all cutting surfaces, the cutting reel axle shaft and wheels.