

WARRANTY: 6 MONTHS FROM DATE OF PURCHASE

The manufacturers will repair or replace, free of charge any part or parts of this lawnmower found defective in material and workmanship by an Authorised Service Dealer. The following is a list of situations or conditions which will not be covered by the warranty or which will render void any further warranty on the lawnmower:

1. Attempting to disassemble or repair the engine or have repairs made by anyone other than an Authorised Service Dealer.
2. Normal wear and tear.
3. Damage due to lack of owner and/or user maintenance.
4. Damage due to improper storage and/or lack of preparation for storage.
5. Damage in transit.
6. Overloading engine beyond factory rated horsepower.
7. Negligence, misuse or abuse.
8. Accident.
9. Damage caused by out-of-balance conditions (bent blades, unbalanced blades, loose blades, etc).
10. Failure of owner and/or user to inspect, repair or have repaired immediately any abnormal conditions of equipment.
11. Damage due to engines not being securely attached to equipment.
12. Bent or broken shafts.
13. Damage due to overheating or fire.
14. Modification to any part of the equipment, whatsoever.

These lawnmowers are suitable for domestic use and for commercial or industrial purposes.

Tandem Lawn Industries (Pty) Ltd operates a policy of continual improvement and reserves the right to alter product specifications without giving prior notice. After each season, we recommend that you have your machine serviced by an authorised dealer, preferably between May and August, to avoid delay at the start of the following season.



Tandem Lawn Industries (Pty) Ltd
5 Invubu Park Place
Riverhorse Valley Business Estate
4017

PO Box 40264
Redhill 4071
South Africa

Tel: 031 569 9300
Fax: 031 569 6255
Email: info@tandem.co.za

V1-1019
1600-574561

WOLF Garden

TRIAD

(Actual product purchased
may differ from picture)

PETROL 3 WHEELER MOWER



DO NOT TILT MOWER ON ITS SIDES

Before performing under-carriage inspection ensure that the engine is off and the spark plug has been disconnected.



For undercarriage inspection, push handle down backwards, making sure the spark plug points upward..

For more information consult the maintenance section of your engine operating manual



Owner and Operator's Manual

(Including Maintenance Instructions)

**READ THIS ENTIRE MANUAL *BEFORE*
ASSEMBLING AND USING THE LAWNMOWER**

PLEASE KEEP THIS BOOKLET IN A SAFE PLACE

OWNER'S INFORMATION

This instruction book is written for a person with some mechanical ability. Like most service books, not all the steps are described. Steps on how to loosen or tighten fasteners are steps anyone, with some mechanical ability, can follow. Read and follow these instructions before you use the unit.

Know your product: If you understand the unit and how the unit operates, you will get the best performance. As you read this manual, compare the illustrations to the unit. Learn the location and the function of the controls. To help prevent an accident, follow the operating instructions and the safety rules. Keep this manual for future reference.

IMPORTANT: Many units are not assembled and are sold in cartons. It is the responsibility of the owner to make sure the assembly instructions in this manual are followed exactly. Other units are purchased in an assembled condition. (For assembled units, it is the responsibility of the owner to make sure that the unit is correctly assembled.) The owner must carefully check the unit according to the instructions in this manual before it is first used.

RESPONSIBILITY OF THE OWNER

The responsibility of the owner is to follow the instructions below:

1. Carefully read and follow the rules for safe operation.
2. Inspect the unit.
3. Make sure that the operator of the unit knows how to correctly use all standard and accessory equipment. Never allow children or other people who are not familiar with this operating manual to use the unit. In addition to this local laws and/or regulations can restrict the age of the user/operator. If the operator lacks experience and knowledge, a person responsible for their safety is required to provide supervision and instruction concerning the use of the appliance.
4. Children should be supervised to ensure that they do not play with the appliance.
5. This appliance is not intended for use by persons with reduced physical, sensory or mental capabilities.
6. Operate the unit only with the entire grass catcher, guards, shields and other safety items in place and working correctly.
7. Correctly adjust the unit.
8. Service the unit only with authorised or approved replacement parts, provided by an authorised service dealer.

INTERNATIONAL SYMBOLS

IMPORTANT: The following symbols are displayed on your unit or on literature supplied with the product. Before you operate the unit, learn and understand the purpose of each symbol.

SAFETY WARNING SYMBOLS	
 <p>WARNING</p>	 <p>IMPORTANT</p> <p>Read Owner's Manual before operating this machine.</p>
 <p>WARNING</p> <p>Thrown objects, Keep bystanders away.</p>	 <p>WARNING</p> <p>Do not mow up slopes.</p>
 <p>DANGER</p> <p>Keep hands away from rotating blades.</p>	 <p>DANGER</p> <p>Keep feet and hands away from rotating blades.</p>
 <p>CONTROL & OPERATING SYMBOLS</p> <p>Slow</p> <p>Fast</p>	 <p>DANGER</p> <p>Disconnect Spark Plug before servicing unit.</p>

TROUBLE SHOOTING CHART

THE ENGINE WILL NOT START:

1. Move the throttle control lever to the START or CHOKE position.
2. Make sure the fuel tank is filled with clean gasoline (petrol). Do not use old gasoline (petrol).
3. On a cold engine, push the primer button (optional on some models) 5 times.
4. Make sure the spark plug is connected to the spark plug.
5. There is too much gasoline (petrol) in the engine cylinder. Remove and dry the spark plug. Put the throttle control in the SLOW position. Pull the recoil-start grip several times. Install the spark plug. Connect the wire/terminal to the spark plug. Start the engine.
6. The engine is difficult to start in heavy or high grass. Move the mower to a clean dry surface.
7. Make sure the engine shut-off valve (if provided) is in the operating position.
8. Make sure the fuel valve (if provided) is in the ON position. Refer to the "Engine Operators Manual".

THE ENGINE WILL NOT STOP:

1. Release the engine stop lever.
2. Check the engine stop cable. Replace the cable if bent or damaged.

THE ENGINE PERFORMANCE IS POOR:

1. Check the height of cut settings. Raise the height of cut if the grass is high.
2. Check the bottom of the blade housing. Clean the blade housing of grass and other debris. Before doing so ensure that the spark plug wire/terminal has been disconnected.
3. Check the wire/terminal to the spark plug. Make sure the wire/terminal is connected.
4. Check the engine cooling fins for grass and other debris.
5. Check the spark plug gap. Refer to the "Engine Instruction Manual".
6. Check the amount of oil in the engine. Fill with oil if necessary.
7. Check the engine air cleaner/filter. Refer to the "Engine Instruction Manual".
8. The gasoline (petrol) is bad. Drain and clean the fuel tank. Fill the fuel tank with clean gasoline (petrol).
9. Check the throttle control. Make sure the lever is not in the CHOKE position.

EXCESSIVE VIBRATION:

1. Remove the blade after having first disconnected the spark plug wire/terminal.
2. Check the blade and if unbalanced replace immediately.
3. Check for a bent or broken blade. **A DAMAGED BLADE IS DANGEROUS AND MUST BE REPLACED IMMEDIATELY.**

THE GRASS WILL NOT DISCHARGE CORRECTLY:

1. Clean the bottom of the mower housing after having first disconnected the spark plug wire/terminal.
2. Check for a badly worn blade. **REMOVE AFTER HAVING FIRST DISCONNECTED THE SPARK PLUG/WIRE TERMINAL AND REPLACE IMMEDIATELY. FOR SAFETY, REPLACE THE BLADE WITH A FACTORY REPLACEMENT BLADE.**
3. **THE GRASS IS NOT EVENLY CUT:**
4. Check for a bent or broken blade after having first disconnected the spark plug wire/terminal. **A DAMAGED BLADE IS DANGEROUS AND MUST BE REPLACED IMMEDIATELY.**
5. Check for broken blade adapter. **REPLACE A BROKEN BLADE ADAPTOR.**

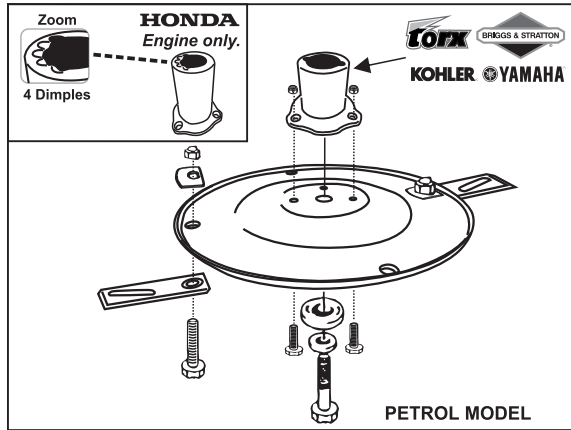
REPLACING THE BLADES:



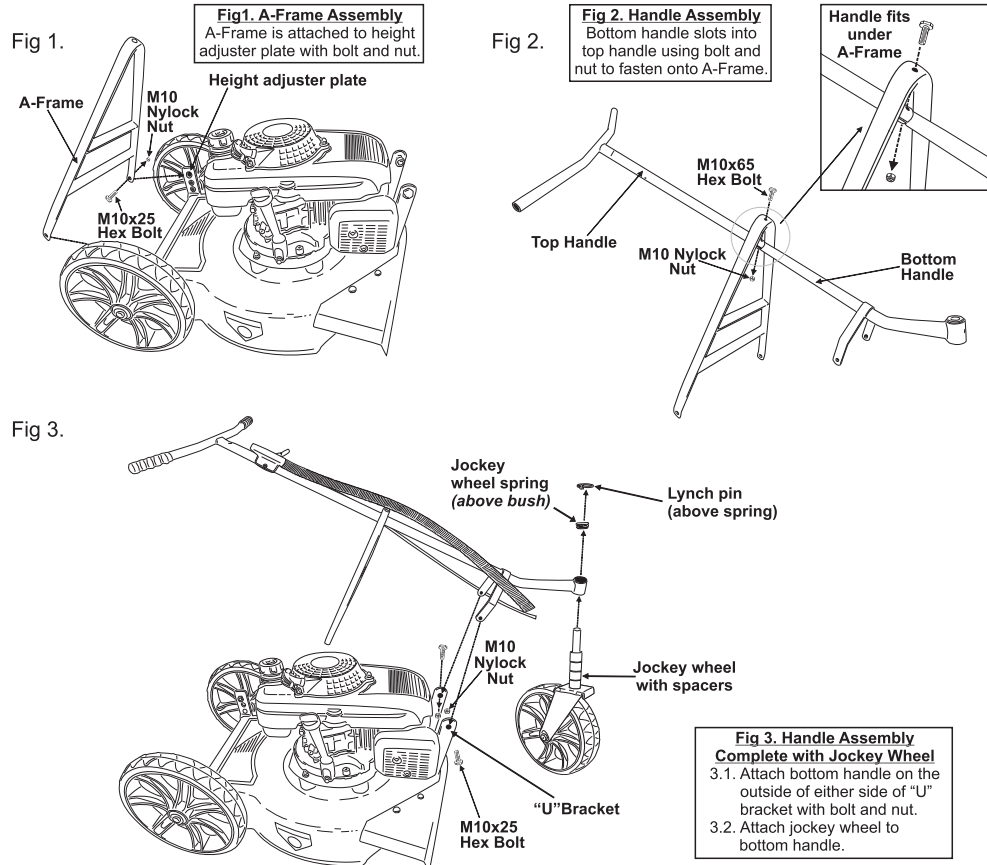
WARNING: Before you remove the blade, disconnect the wire to the spark plug.

- * Remove spark plug wire to prevent accidental starting.
- * Drain the fuel tank.
- * Tilt the mower that has the muffler or spark plug.
- * Remove the bolt that holds the cutting disc.
- * Remove the bolts, nuts and washers that retain the blades and replace.

NOTE: - Mount blades with curved edges towards the housing.
- Ensure nuts are securely tightened.



ASSEMBLY ILLUSTRATION



STEPS TO FOLLOW

BEFORE MOWING:

- Tighten all loose nuts, bolts and screws before you use the unit.
- Be sure to dress correctly. Wear hard shoes, not sandals or tennis shoes.
- Examine the blade. A blade that is bent, cracked or damaged must be replaced with a factory replacement blade.
- Fill the tank outside. Clean off spoiled fuel.
- Read and follow the Owner's Manual, the instructions with the engine, and the instructions with any attachments. Owner's Manual instructions are for your safety and the safety of others.
- Exhaust fumes are dangerous. Start the engine outside.
- Make sure all safety devices are in place and working correctly.
- Operation of the mower is only for a person that has experience.
- Wet grass can be dangerous. Let the grass dry.
- Instruct children and others to keep away from the work area.
- Never cut the grass without good light.
- Pick up loose objects. Remove them from the mowing area.

WHILE MOWING:

- Watch for fixed objects and avoid them. They can damage the mower or cause injury.
- A hot engine and muffler will cause a burn. Do not touch.
- Inclines and slopes must be carefully mowed. Do not mow up and down slopes. Mow across slopes.
- Lack of daylight or good artificial light is cause to stop mowing.
- Examine the mower, the blade, and other parts for damage after hitting a foreign object or if the unit vibrates excessively.
- Do not make adjustments or repairs without stopping the engine. Disconnect the spark plug wire/terminal.
- On or near roads, watch out for traffic. Direct discharge away from roads.
- When mowing, avoid areas where traction is unsure. Look back before changing direction of travel.
- In heavy grass, raise the cutting height. Cut slower. Stop the engine to remove clogged grass from the mower. Disconnect the spark plug wire / terminal.
- Never remove any safety related parts.
- Do not pour gasoline into an engine that is hot or running.

AFTER MOWING:

- Always let the mower cool before storing in an enclosed area.
- Foreign material on the mower is dangerous. Clean off grass, leaves, grease and oil before storing.
- Empty and clean the grass catcher or other accessory.
- Remove the key or disconnect the spark plug wire to prevent unauthorised use.
- Make sure the mower is not kept near a source of ignition. Gas fumes can cause an explosion.
- Only original parts or factory approved substitutes can be used to service the mower.
- When storing the mower for an extended period, remove the fuel from the fuel tank.
- Instruct children to leave the mower alone. It is not a toy.
- Never keep gasoline (petrol) near a source of ignition. Always use an approved container. Keep gasoline (petrol) away from children.
- Lubricate according to the Engine Instruction Book. Refer to Maintenance or Oil Section.

IMPORTANT: Read the Instruction Book. Keep this book for future use and reference.



WARNING: Look for this symbol to point out important safety precautions. It means: "Attention! Become Alert! Your safety is involved".

IMPORTANT

SAFE OPERATION PRACTICES FOR PEDESTRIAN CONTROLLED ROTARY LAWNMOWERS.

TRAINING:

1. Read the instructions carefully. Be familiar with the controls and the proper use of the equipment.
2. Never allow children or people unfamiliar with these instructions to use the appliance. Local regulations may restrict the age of the operator.

PREPARATION:

3. Never mow while people, especially children, or pets are nearby.
4. Keep in mind that the operator or user is responsible for accidents or hazards occurring to other people or their property.
1. While mowing, always wear substantial footwear and long trousers. Do not operate the equipment when barefoot or wearing open sandals.
2. Thoroughly inspect the area where the equipment is to be used and remove all objects which may be thrown by the machine.

WARNING – Petrol is highly flammable:

- a. Store fuel in containers specifically designed for this purpose.
- b. Refuel outdoors only and do not smoke while refuelling.
- c. Add fuel before starting the engine. Never remove the cap of the fuel tank or add petrol while the engine is running or when the engine is hot.
- d. If petrol is spilled, do not attempt to start the engine but move the machine away from the area of spillage and avoid creating any source of ignition until petrol vapours have dissipated.
- e. Replace all fuel tanks and container caps securely.
4. Replace faulty silencers.
5. Before using, always visually inspect to see that the blades, blade bolts and cutter assembly are not worn, damaged or unbalanced.

OPERATION:

1. Do not operate the engine in a confined space where dangerous carbon monoxide fumes can collect.
2. Mow only in daylight or in good artificial light.
3. Avoid operating the equipment in wet grass, where feasible.
4. Always be sure of your footing on slopes.
5. Walk, never run.
6. For wheeled rotary machines, mow across the face of slopes, never up and down.
7. Exercise extreme caution when changing direction on slopes.
8. Do not mow excessively steep slopes.
9. Use extreme caution when reversing or pulling the appliance towards you.
10. Stop the engine, wait for a few seconds for the blade to stop rotating, if the mower has to be tilted for transportation when crossing surfaces other than grass and when transporting the mower to and from the area to be mowed.
11. Never operate the mower with defective guards or shields, or without safety devices, for example deflectors and/or grass catchers, in place.
12. Do not change the engine governor setting or overspeed the engine.
13. Disengage all blade and drive clutches before starting the engine.
14. Start the engine carefully according to instructions and with feet well away from the blade(s).
15. Do not tilt the mower when switching on the engine, except if the mower has to be slightly tilted for starting.
16. Do not start the engine when standing in front of the discharge chute.
17. Do not put hands or feet near or under rotating parts. Keep clear of the discharge opening at all times.
18. Never pick up or carry a mower while the engine is running.
19. Stop the engine and disconnect the spark plug wire/terminal:
 - a. before cleaning blockage or unclogging chute.
 - b. before checking, cleaning or working on the mower (including inspection of blade for damage or uneven wear).
 - c. after striking a foreign object inspect the mower for damage and make repairs before restarting and operating the mower.
 - d. if mower starts to vibrate abnormally (check immediately).
20. Stop the engine:
 - a. whenever you leave the mower.
21. Reduce the throttle setting during engine shut down and, if the engine is provided with a shut-off valve, turn the fuel off at the conclusion of mowing.

MAINTENANCE AND STORAGE:

1. Keep all nuts, bolts and screws tight to be sure the equipment is in safe working condition.
2. Never store the equipment with petrol in the tank inside a building where fumes may reach an open flame or spark.
3. Allow the engine to cool before storing in any enclosure.
4. To reduce the fire hazard, keep the engine, silencer, battery compartment and petrol storage area free of grass, leaves or excessive grease.
5. Check the grass catcher frequently for wear or deterioration.
6. Replace worn or damaged parts for safety.
7. If the fuel tank has to be drained, this should be done outdoors.
8. Check the blade for damage or sign of uneven wear from time to time. (Tilt the mower by pushing the handle downwards and disconnect the spark plug wire/terminal).

GENERAL ASSEMBLY

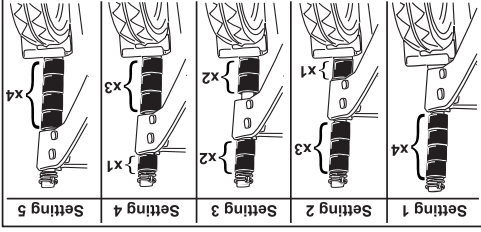
PLEASE NOTE THE FOLLOWING BEFORE YOU START THE MOWER:

CUTTING HEIGHT ADJUSTMENT

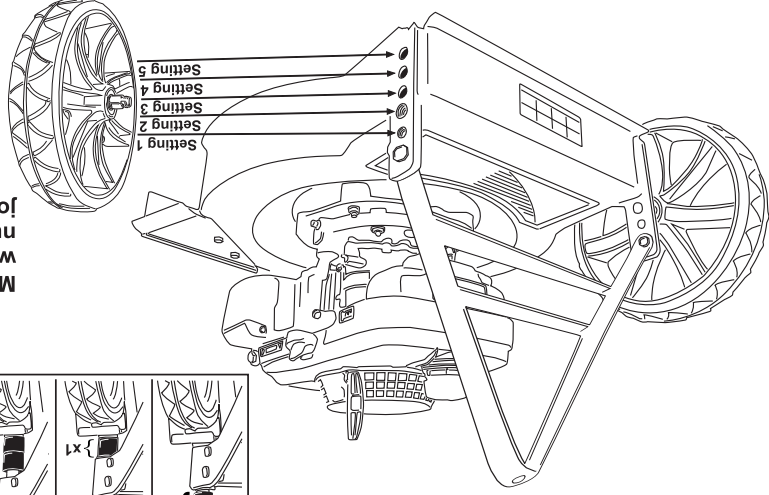
⚠ WARNING:

THE BLADE WILL ROTATE WHEN THE ENGINE RUNS, THEREFORE, BEFORE MAKING THIS ADJUSTMENT, ENSURE THAT THE MACHINE IS OFF AND THAT THE BLADE HAS STOPPED ROTATING.

HEIGHT SETTING ILLUSTRATIONS



Match position of rear wheel with same setting number as per front jockey wheel.



ENGINES WITH NO BRAKE

STARTING THE ENGINE

Start the mower on flat, solid ground. **DO NOT** start on long grass. Move the throttle control lever to the Start position (as depicted by the throttle control sticker). This is also referred to as the choke position. If the engine has a primer button, push the primer button firmly 5 times. Note: Do not use primer button to start a warm engine. Grasp rope handle and pull slowly until resistance is felt. Pull cord rapidly to overcome compression.

Repeat if necessary with throttle control lever in the choke position.

If the engine does not have a primer button it may be necessary, once the engine has been stopped (even if warm), to reposition the throttle control lever to the choke position before restarting the engine.